

Poles	Dimensions(mm)		
	A	B	C
02	3.70	2.40	1.00
03	4.70	3.40	2.00
04	5.70	4.40	3.00
05	6.70	5.40	4.00

Material:

Housing:PA66 ,UL 94V-0,
Colour:Natural

Electrical Characteristics:

Current rating:1.0A AC,DC
Voltage rating:50V AC,DC
Temperature range:-25°C ~ + 85°C
Insulation resistance:100MΩ/Min.
Withstanding voltage:500V AC/minute
Contact resistance:20mΩ/Max.

Order Information:

L-ETC1-XF6-1.00-XX-H

L: RoHS

1.00mm Pitch

XX-No. of 02~05pin

Type: T-Terminal

H-Hosing H2-Hosing

VM-Vertical SMT Pin

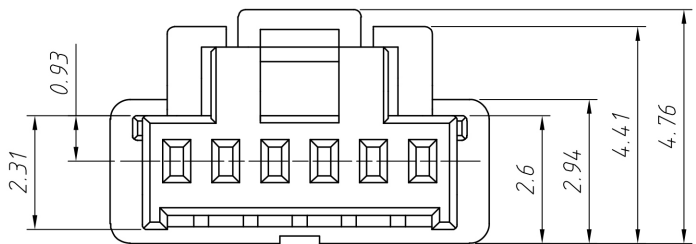
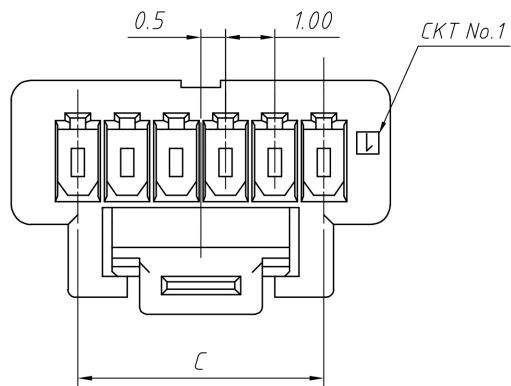
RM-Horizontal SMT Pin

ANGLE TOLERANCE	PROJECTION	Description:
±3°		1.00mm Pitch 501330 501331 501568 wire to board connector
GENERAL TOLERANCE	UNITS	mm
x.x ±0.30	SHEET SIZE	A4
x.xx ±0.20	Draw:	Daniel 2020-11-11
x.xxx ±0.10	Check:	Daniel 2020-11-11



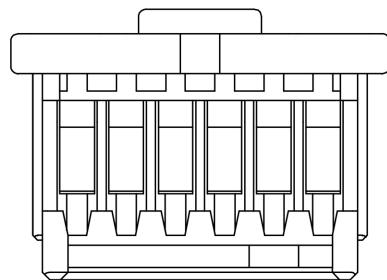
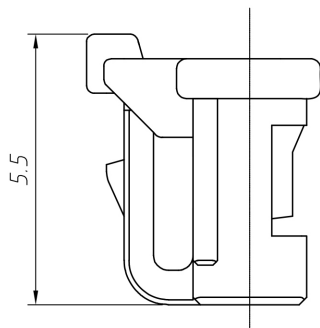
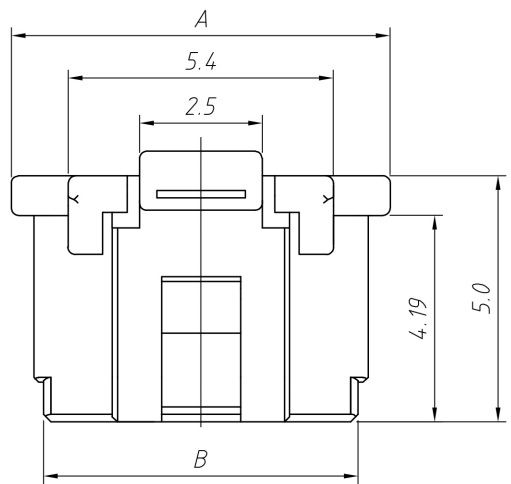
ETC ELECTRONICS CO., LTD.

RoHS Compliance



Material:
Housing: PA66, UL 94V-0,
Colour: Natural

Electrical Characteristics:
Current rating: 1.0A AC, DC
Voltage rating: 50V AC, DC
Temperature range: -25°C ~ +85°C
Insulation resistance: 100M Ω /Min.
Withstanding voltage: 500V AC/minute
Contact resistance: 20m Ω /Max.



Poles	Dimensions (mm)		
	A	B	C
06	7.70	6.40	5.00
07	8.70	7.40	6.00
08	9.70	8.40	7.00
09	10.70	9.40	8.00
10	11.70	10.40	9.00
11	12.70	11.40	10.00
12	13.70	12.40	11.00
13	14.70	13.40	12.00
14	15.70	14.40	13.00
15	16.70	15.40	14.00

Order Information:

L-ETC1-XF6-1.00-XX-H2

L: RoHS

1.00mm Pitch

XX-No. of 06 ~ 15pin

Type: T-Terminal

H-Hosing H2-Hosing

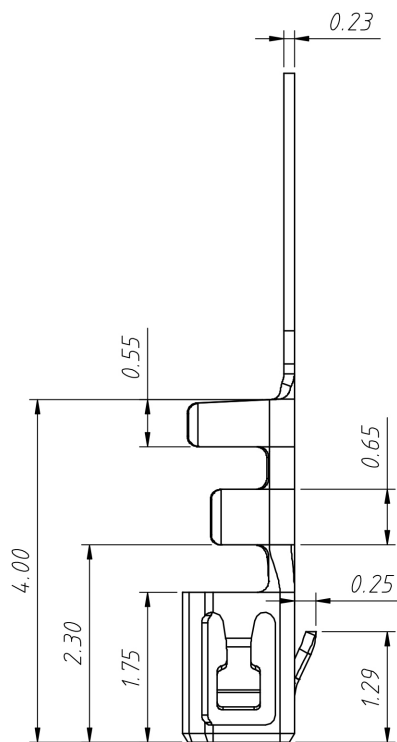
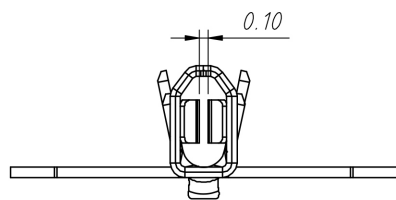
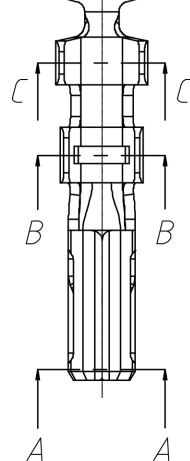
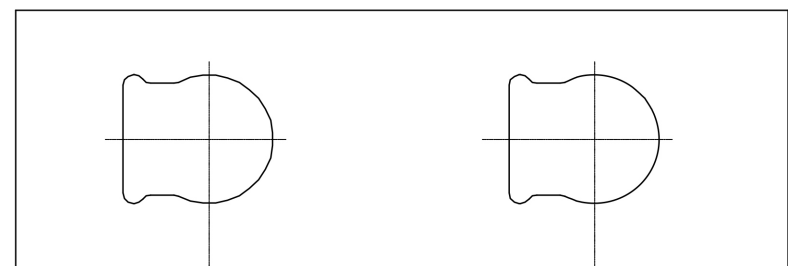
VM-Vertical SMT Pin RM-Horizontal SMT Pin

ANGLE TOLERANCE	PROJECTION	Description:
$\pm 3^\circ$		1.00mm Pitch 501330 501331 501568 wire to board connector
GENERAL TOLERANCE	UNITS	mm
x.x ± 0.30	SHEET SIZE	A4
x.xx ± 0.20	Draw:	Daniel 2020-11-11
x.xxx ± 0.10	Check:	Daniel 2020-11-11



ETC ELECTRONICS CO., LTD.

RoHS Compliance

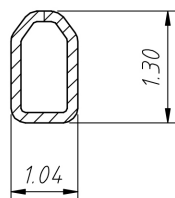


Material:
 Terminal: Phosphor Bronze
 Finish: Gold plated
 Applicable wires: AWG #28 ~ #32
 Insulation O.D.: 0.8mm Max.
 Qty/reel: 15000PCS

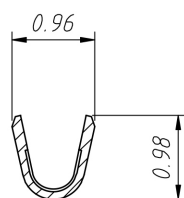
Electrical Characteristics:
 Current rating: 1.0A AC, DC
 Voltage rating: 50V AC, DC
 Temperature range: -25°C ~ +85°C
 Insulation resistance: 100MΩ/Min.
 Withstanding voltage: 250V AC/minute
 Contact resistance: 20mΩ/Max.

Order Information:
 L-ETC1-XF6-1.00-T

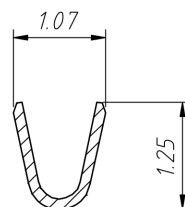
 L: RoHS
 1.00mm Pitch
 Type: _____
 H-Hosing T-Terminal



SECTION A-A



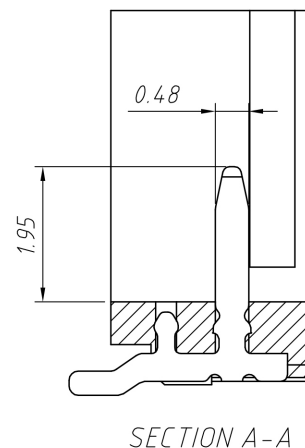
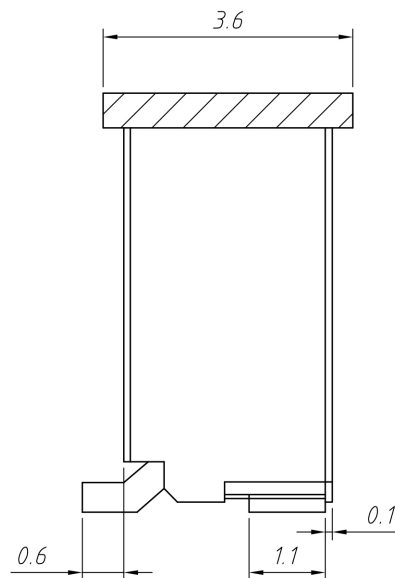
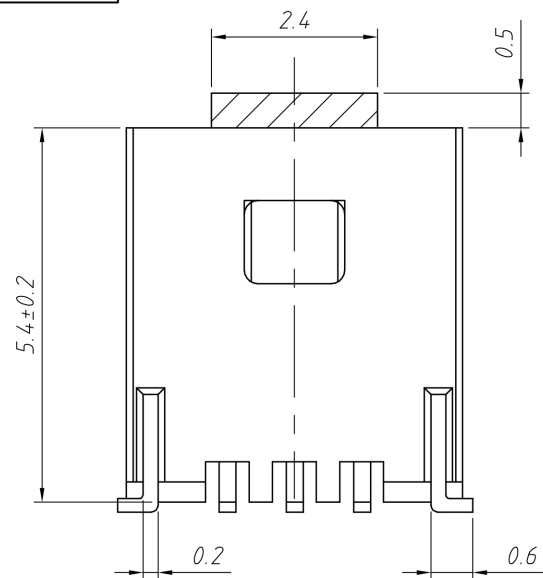
SECTION B-B



SECTION C-C

ANGLE TOLERANCE	PROJECTION	Description:	1.00mm Pitch 501189 501190
±3°			Wire to board connector
GENERAL TOLERANCE	UNITS	mm	ETC P/N: L-ETC1-XF6-1.00-T
x.x ±0.30	SHEET SIZE	A4	ETC ELECTRONICS CO., LTD.
x.xx ±0.20	Draw:	Daniel 2020-11-11	
x.xxx ±0.10	Check:	Daniel 2020-11-11	

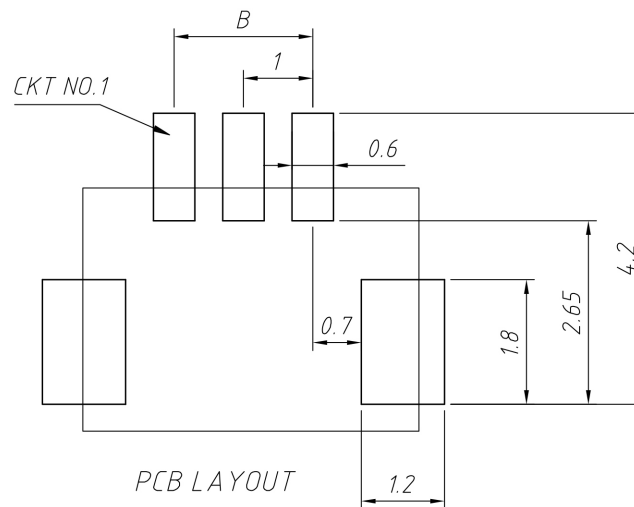
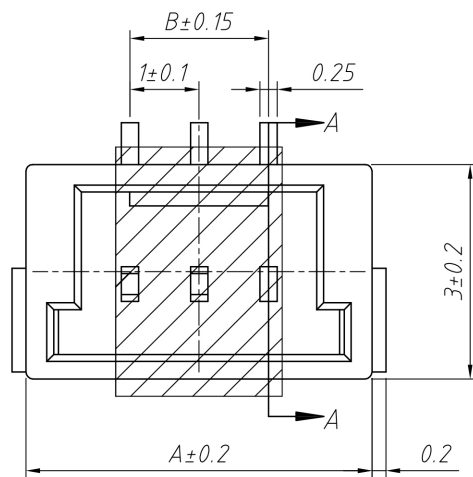
RoHS Compliance



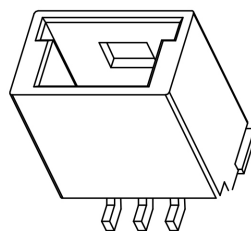
Material:
 Housing: LCP, UL 94V-0,
 Colour: Natural
 Contact: Phosphor Bronze
 Finish: Tin Bronze, Tin plated

Electrical Characteristics:
 Current rating: 1.0A AC, DC
 Voltage rating: 50V AC, DC
 Temperature range: -25°C ~ +85°C
 Insulation resistance: 100MΩ/Min.
 Withstanding voltage: 250V AC/minute
 Contact resistance: 20mΩ/Max.

Poles	Dimensions(mm)	
	A	B
02	4.00	1.00
03	5.00	2.00
04	6.00	3.00
05	7.00	4.00

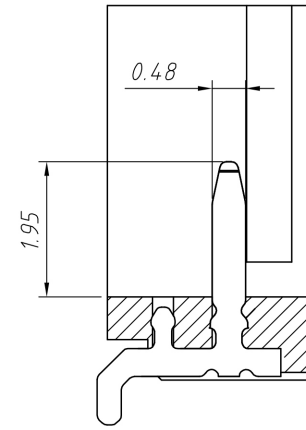
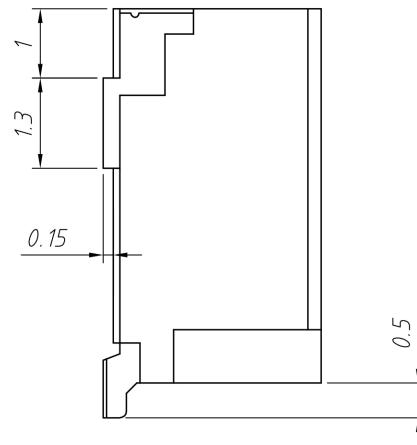
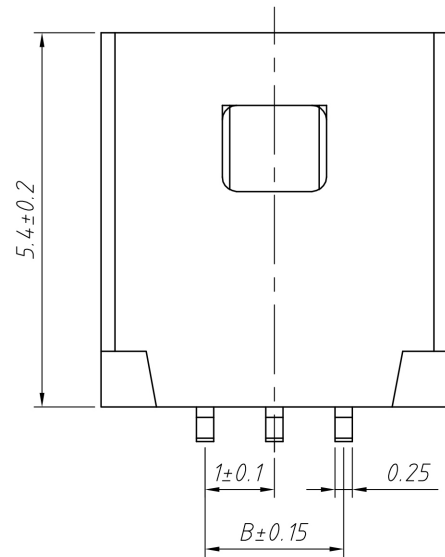


Order Information:
 L-ETC1-XF6-1.00-XX-VM
 L: RoHS
 1.00mm Pitch
 XX-No. of 02~05pin
 Type: T-Terminal
 H-Hosing H2-Hosing
 VM-Vertical SMT Pin
 RM-Horizontal SMT Pin



ANGLE TOLERANCE	PROJECTION	Description:		
±3°		1.00mm Pitch wire to board connector		
GENERAL TOLERANCE	UNITS	mm	ETC P/N:	L-ETC1-XF6-1.00-XX-VM
x.x ±0.30	SHEET SIZE	A4		
x.xx ±0.20	Draw:	Daniel	2020-11-11	
x.xxx ±0.10	Check:	Daniel	2020-11-11	

RoHS Compliance

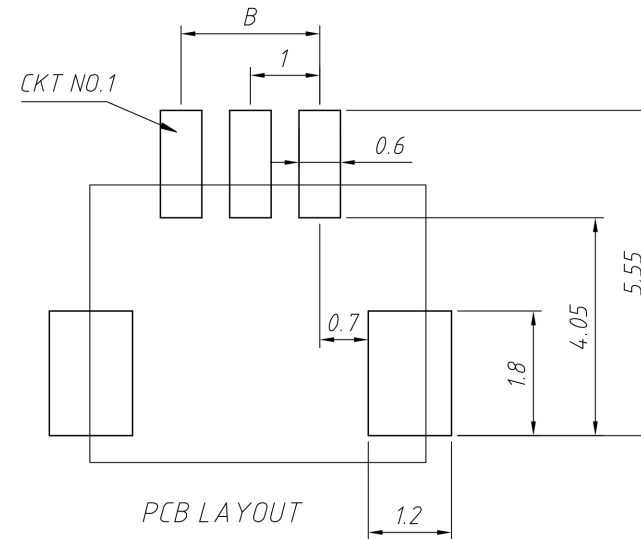
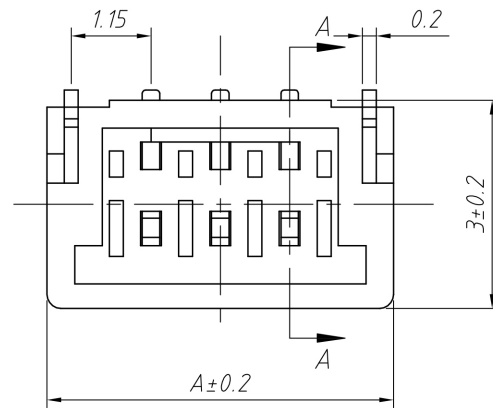


SECTION A-A

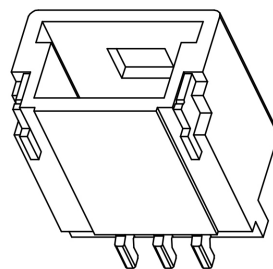
Material:
 Housing: LCP, UL 94V-0,
 Colour: Natural
 Contact: Phosphor Bronze
 Finish: Tin Bronze, Tin plated

Electrical Characteristics:
 Current rating: 1.0A AC, DC
 Voltage rating: 50V AC, DC
 Temperature range: -25°C ~ +85°C
 Insulation resistance: 100MΩ/Min.
 Withstanding voltage: 250V AC/minute
 Contact resistance: 20mΩ/Max.

Poles	Dimensions (mm)	
	A	B
02	4.00	1.00
03	5.00	2.00
04	6.00	3.00
05	7.00	4.00



Order Information:
 L-ETC1-XF6-1.00-XX-RM
 L: RoHS
 1.00mm Pitch
 XX-No. of 02~05pin
 Type: T-Terminal
 H-Hosing H2-Hosing
 VM-Vertical SMT Pin
 RM-Horizontal SMT Pin



ANGLE TOLERANCE	PROJECTION	Description:		
±3°		1.00mm Pitch wire to board connector		
GENERAL TOLERANCE	UNITS	mm	ETC P/N:	L-ETC1-XF6-1.00-XX-RM
x.x ±0.30	SHEET SIZE	A4		
x.xx ±0.20	Draw:	Daniel	2020-11-11	
x.xxx ±0.10	Check:	Daniel	2020-11-11	