

Material:

Housing: PA66, UL 94V-0

Color: Blank-Natural Color

Electrical Characteristics:

Current rating: 5.5A AC, DC

Voltage rating: 250V AC, DC

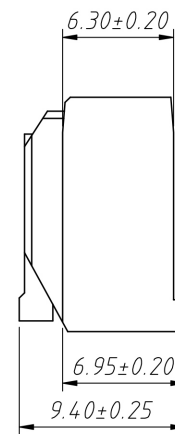
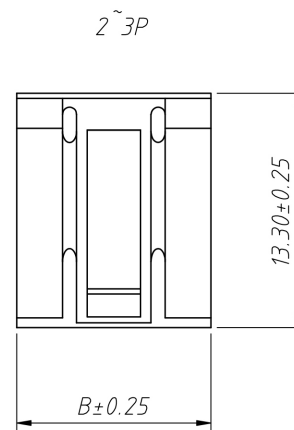
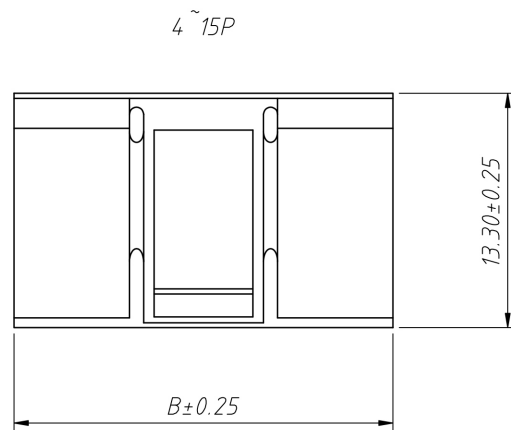
Insulation resistance: 1000MΩ Min.

Withstanding voltage: 1500V AC minute

Contact resistance: 10mΩ Max.

After environmental testing: 20mΩ Max.

Temperature range: -25°C ~ +85°C



Pin	Dimensions (mm)	
	A	B
02	3.50	7.50
03	7.00	11.00
04	10.50	14.50
05	14.00	18.00
06	17.50	21.50
07	21.00	25.00
08	24.50	28.50
09	28.00	32.00
10	31.50	35.50
11	35.00	39.00
12	38.50	42.50
13	42.00	46.00
14	45.50	49.50
15	49.00	53.00

Order Information:

L-ETC1-XL1-3.50-XX-H

L: RoHS

Wire To Board

Connector

Pitch: 3.50mm

XX-No. of 02~15 pins

Type:

H-Housing T-Terminal

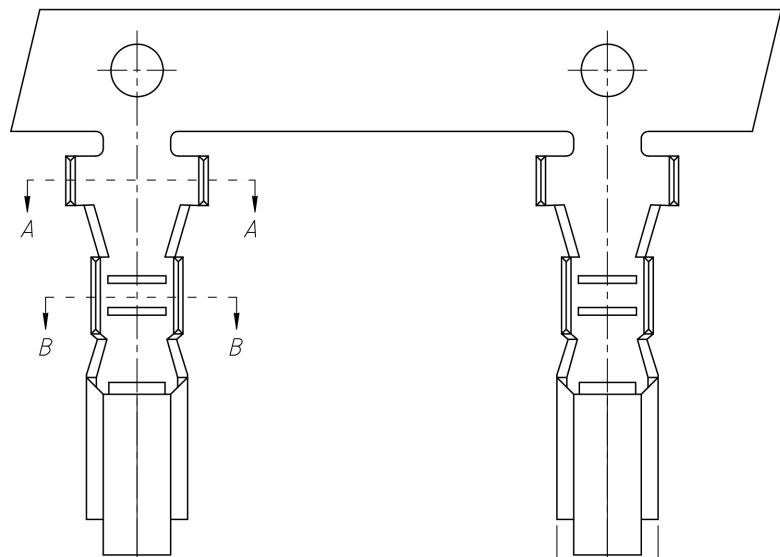
S-Straight male pin

R-Right angle male pin

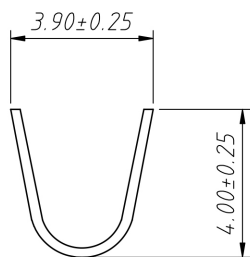
ANGLE TOLERANCE	PROJECTION	Description:
±3°		3.50mm Pitch Mighty-SPOX 51067 Wire To Board Connector
GENERAL TOLERANCE	UNITS	mm
x.x ±0.30	SHEET SIZE	A4
x.xx ±0.20	Draw:	Daniel 2020-11-11
x.xxx ±0.10	Check:	Daniel 2020-11-11



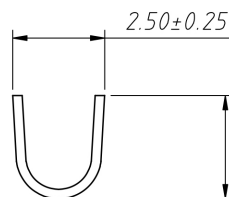
ETC ELECTRONICS CO., LTD.



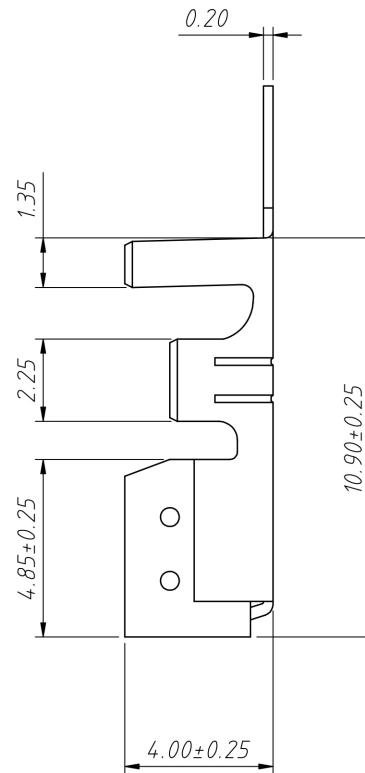
1.90  
2.80



Section: A-A  
Scale: 1:1



Section: B-B  
Scale: 1:1



**Material:**

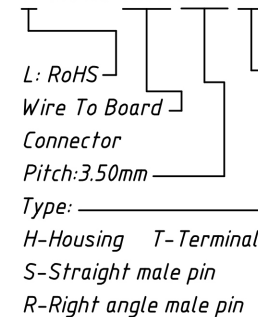
Terminal: Phosphor bronze  
Finish : Bright tin plating

**Electrical Characteristics:**

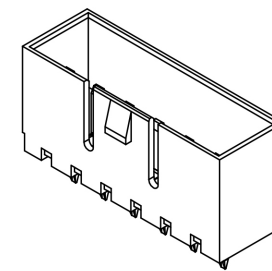
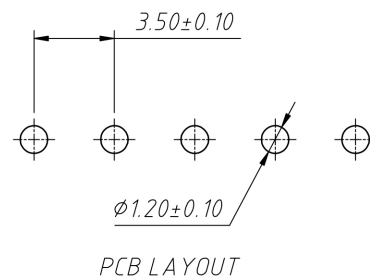
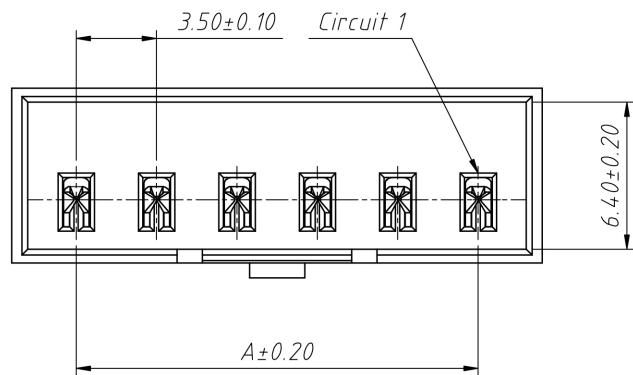
Current rating: 5.5A AC, DC  
Voltage rating: 250V AC, DC  
Insulation resistance: 1000M $\Omega$  Min.  
Withstanding voltage: 1500V AC minute  
Contact resistance: 10m $\Omega$  Max.  
After environmental testing: 20m $\Omega$  Max.  
Wire Range: AWG#18-24  
Insulation O.D.: 3.20mm(Max)  
Temperature range: -25°C ~ +85°C

**Order Information:**

L-ETC1-XL1-3.50-T

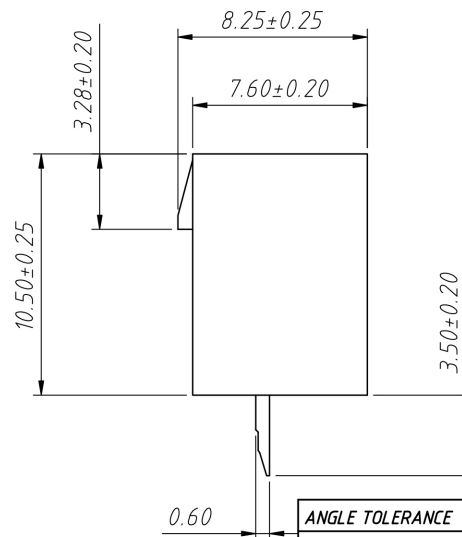
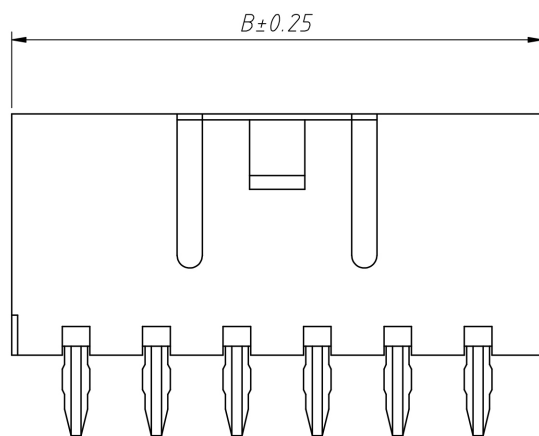


ANGLE TOLERANCE	PROJECTION	Description:	3.50mm Pitch Mighty-SPOX
$\pm 3^\circ$			51067 Wire To Board Connector
GENERAL TOLERANCE	UNITS	mm	ETC P/N: L-ETC1-XL1-3.50-T
x.x $\pm 0.30$	SHEET SIZE	A4	
x.xx $\pm 0.20$	Draw:	Daniel 2020-11-11	
x.xxx $\pm 0.10$	Check:	Daniel 2020-11-11	



**Material:**  
 Housing: PA66, UL 94V-0  
 Color: Blank-Natural Color  
 Pin: Brass, Bright Tin Plating

**Electrical Characteristics:**  
 Current rating: 5.5A AC, DC  
 Voltage rating: 250V AC, DC  
 Insulation resistance: 1000M $\Omega$  Min.  
 Withstanding voltage: 1500V AC minute  
 Contact resistance: 10m $\Omega$  Max.  
 After environmental testing: 20m $\Omega$  Max.  
 Temperature range: -25 $^{\circ}$ C ~ +85 $^{\circ}$ C



Pin	Dimensions (mm)	
	A	B
02	3.50	9.10
03	7.00	12.60
04	10.50	16.10
05	14.00	19.60
06	17.50	23.10
07	21.00	26.60
08	24.50	30.10
09	28.00	33.60
10	31.50	37.10
11	35.00	40.60
12	38.50	44.10
13	42.00	47.60
14	45.50	51.10
15	49.00	54.60

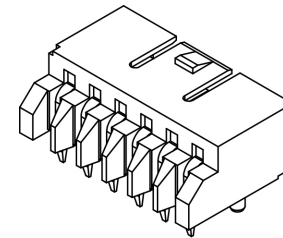
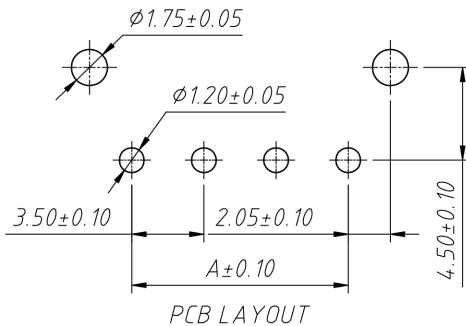
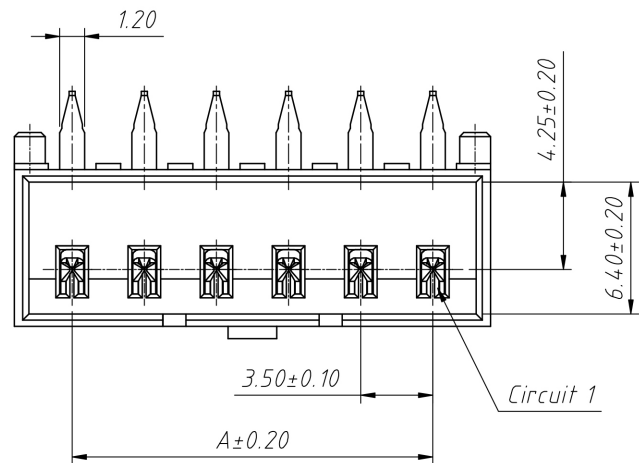
**Order Information:**

L-ETC1-XL1-3.50-XX-S

L: RoHS  
 Wire To Board  
 Connector  
 Pitch: 3.50mm  
 XX-No. of 02 ~ 15 pins  
 Type:  
 H-Housing T-Terminal  
 S-Straight male pin  
 R-Right angle male pin

ANGLE TOLERANCE	PROJECTION	Description:	3.50mm Pitch Mighty-SPOX 51067 Wire To Board Connector
$\pm 3^{\circ}$			
GENERAL TOLERANCE	UNITS	mm	ETC P/N: L-ETC1-XL1-3.50-XX-S
x.x $\pm 0.30$	SHEET SIZE	A4	
x.xx $\pm 0.20$	Draw:	Daniel	2020-11-11
x.xxx $\pm 0.10$	Check:	Daniel	2020-11-11





**Material:**

Housing: PA66, UL 94V-0

Color: Blank-Natural Color

Pin: Brass, Bright Tin Plating

**Electrical Characteristics:**

Current rating: 5.5A AC, DC

Voltage rating: 250V AC, DC

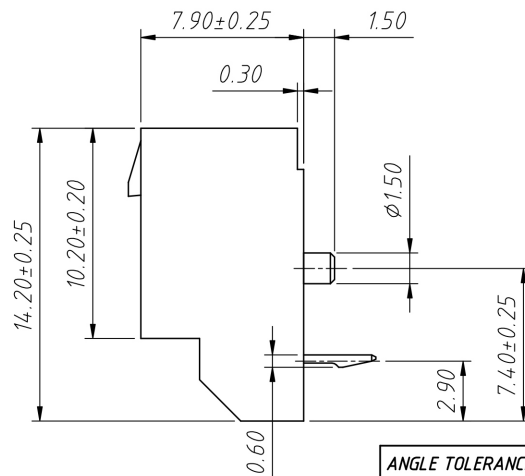
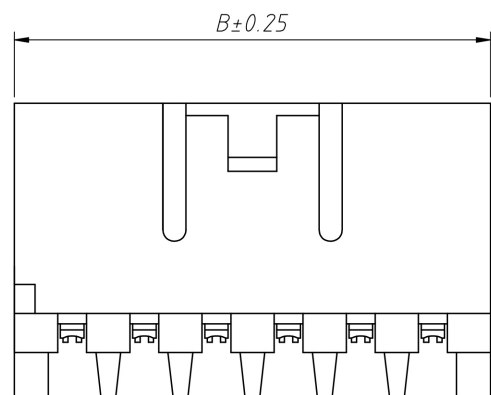
Insulation resistance: 1000M $\Omega$  Min.

Withstanding voltage: 1500V AC minute

Contact resistance: 10m $\Omega$  Max.

After environmental testing: 20m $\Omega$  Max.

Temperature range: -25°C ~ +85°C



Pin	Dimensions(mm)	
	A	B
02	3.50	9.10
03	7.00	12.60
04	10.50	16.10
05	14.00	19.60
06	17.50	23.10
07	21.00	26.60
08	24.50	30.10
09	28.00	33.60
10	31.50	37.10
11	35.00	40.60
12	38.50	44.10
13	42.00	47.60
14	45.50	51.10
15	49.00	54.60

**Order Information:**

L-ETC1-XL1-3.50-XX-R

L: RoHS

Wire To Board

Connector

Pitch: 3.50mm

XX-No. of 02~15 pins

Type:

H-Housing T-Terminal

S-Straight male pin

R-Right angle male pin

ANGLE TOLERANCE	PROJECTION	Description:
±3°		3.50mm Pitch Mighty-SPOX 51067 Wire To Board Connector
GENERAL TOLERANCE	UNITS	mm
x.x ±0.30	SHEET SIZE	A4
x.xx ±0.20	Draw:	Daniel 2020-11-11
x.xxx ±0.10	Check:	Daniel 2020-11-11



ETC ELECTRONICS CO., LTD.