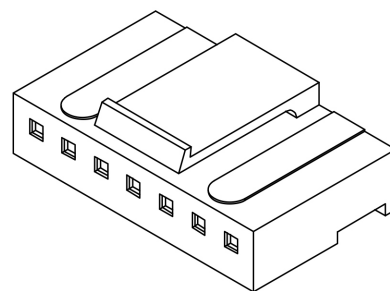
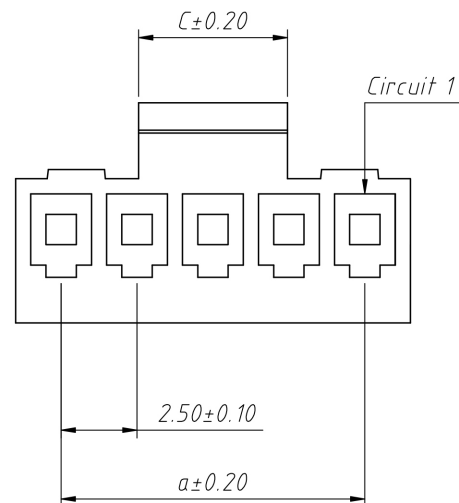
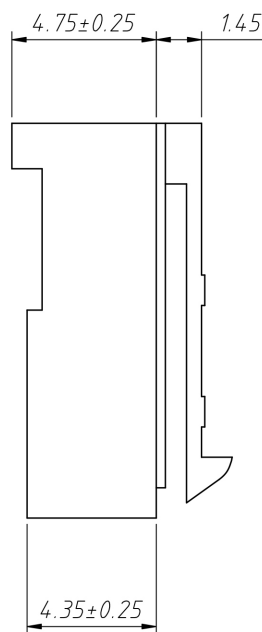
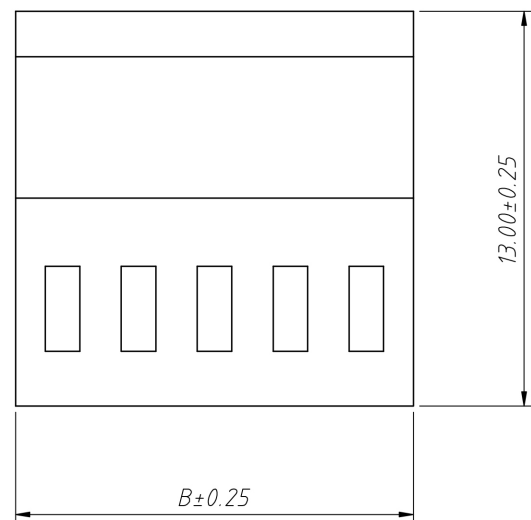


RoHS Compliance



Material:  
Housing:PA66,UL94V-0  
Color: Blank-natural color pink

Electrical Characteristics:  
Rated Current:3.0AMP  
Voltage rating:250V AC,DC  
Temperature range:-25°C ~ + 85°C  
Insulator Resistance:1000MΩ Min  
Withstanding Voltage:1000V AC/minute  
Contact Resistance:20mΩ Max  
After environmental testing:40mΩ Max



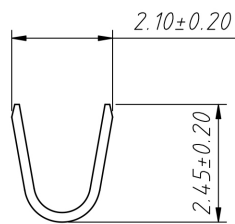
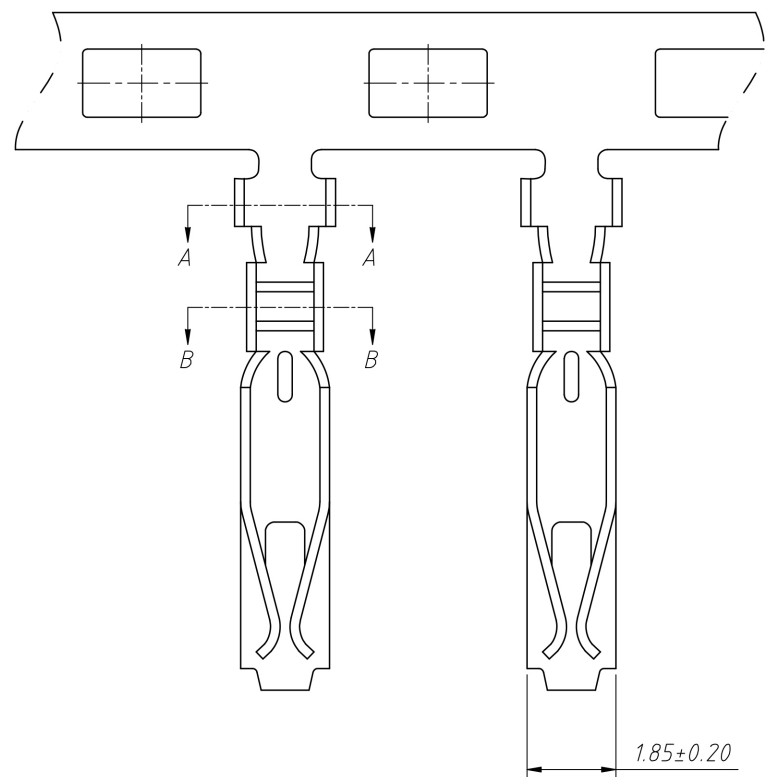
Pin	Dimensions(mm)		
	A	B	C
02	2.50	5.50	2.00
03	5.00	8.00	3.00
04	7.50	10.50	4.00
05	10.00	13.50	5.00
06	12.50	15.50	6.00
07	15.00	18.00	8.00
08	17.50	20.50	10.00
09	20.00	23.00	10.00
10	22.50	25.50	10.00
11	25.00	28.00	11.00
12	27.50	30.50	11.00
13	30.00	33.00	13.00
14	32.50	35.50	13.00
15	35.00	38.00	13.00

Order Information:  
L-ETC1-2.50H-XX-H  
L: RoHS  
Pitch:2.50mm  
XX-No. of 02~15 pins  
Type:  
H-Housing T-Terminal  
S-Straight pin  
R1/R2/R3-Right angle pin

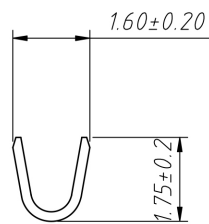
ANGLE TOLERANCE	PROJECTION	Description:
±3°		2.50mm Pitch CH Type Wire To Board Connector
GENERAL TOLERANCE	UNITS	mm
x.x ±0.30	SHEET SIZE	A4
x.xx ±0.20	Draw:	Daniel 2021-01-11
x.xxx ±0.10	Check:	Daniel 2021-01-11



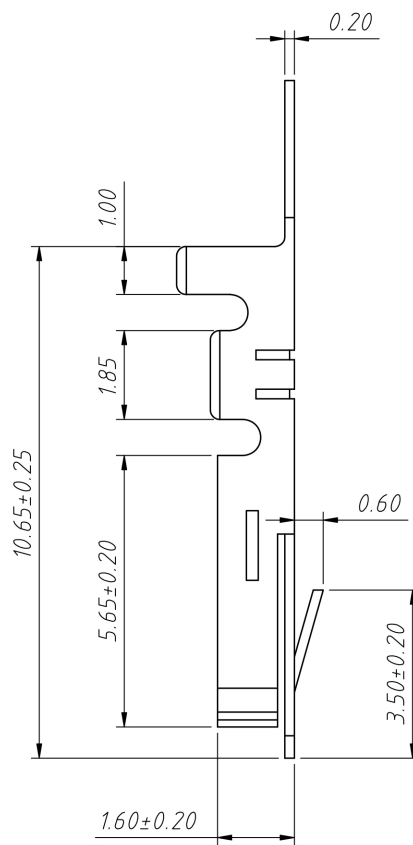
ETC ELECTRONICS CO., LTD.



Section:A-A

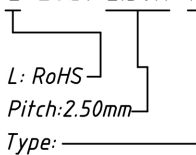


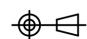

Section:B-B

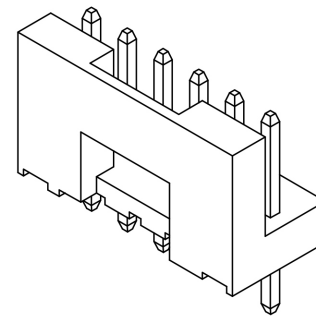
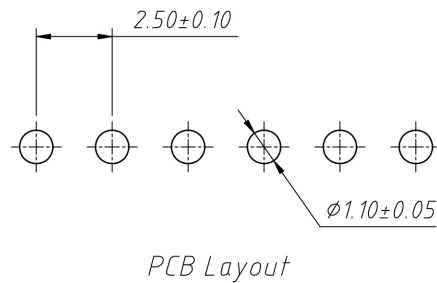
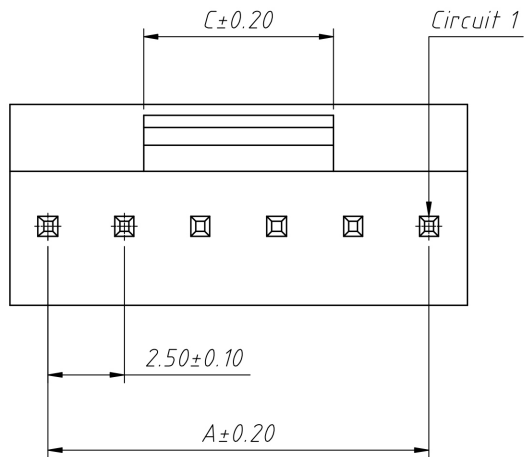


**Material:**  
 Terminal: Phosphor Bronze  
 Plating: Tin plated  
 Applicable wires: AWG #22 ~ #28

**Electrical Characteristics:**  
 Rated Current: 3.0AMP  
 Voltage rating: 250V AC, DC  
 Temperature range: -25°C ~ +85°C  
 Insulator Resistance: 1000MΩ Min  
 Withstanding Voltage: 1000V AC/minute  
 Contact Resistance: 20mΩ Max  
 After environmental testing: 40mΩ Max

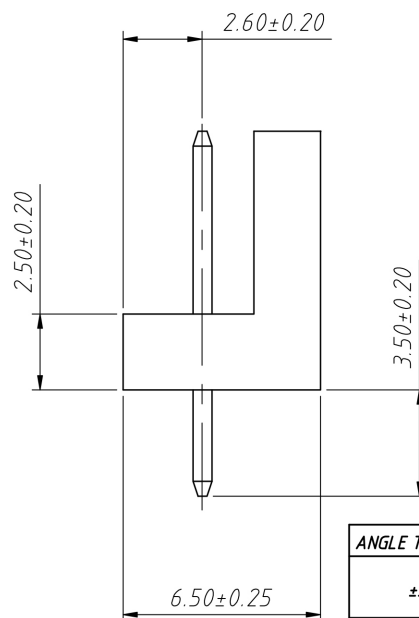
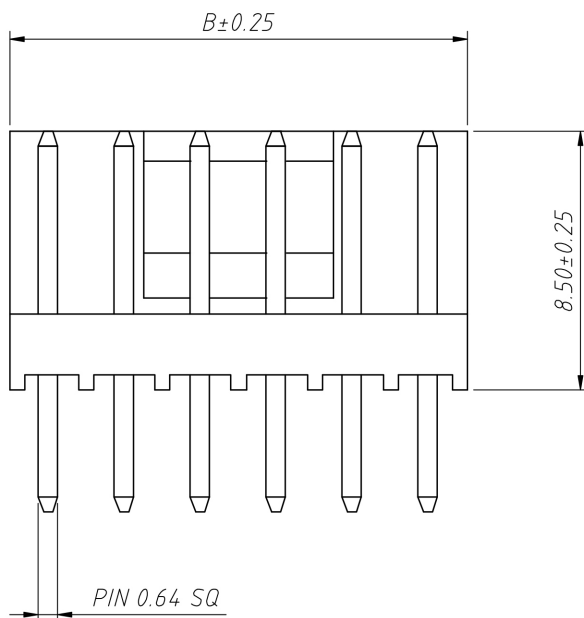
**Order Information:**  
 L-ETC1-2.50H-T  
 L: RoHS  
 Pitch: 2.50mm  
 Type:   
 H-Housing T-Terminal  
 S-Straight pin  
 R1/R2/R3-Right angle pin

ANGLE TOLERANCE	PROJECTION	Description:	2.50mm Pitch CH Type
±3°		Wire To Board Connector	
GENERAL TOLERANCE	UNITS	mm	ETC P/N: L-ETC1-2.50H-T
x.x ±0.30	SHEET SIZE	A4	 ETC ELECTRONICS CO., LTD.
x.xx ±0.20	Draw:	Daniel 2021-01-11	
x.xxx ±0.10	Check:	Daniel 2021-01-11	



**Material:**  
 Housing: PA66, UL 94V-0  
 Color: Blank-natural color pink  
 Contact : Brass  
 Finish : Tin Plating

**Electrical Characteristics:**  
 Rated Current: 3.0AMP  
 Voltage rating: 250V AC, DC  
 Temperature range: -25°C ~ +85°C  
 Insulator Resistance: 1000M $\Omega$  Min  
 Withstanding Voltage: 1000V AC/minute  
 Contact Resistance: 20m $\Omega$  Max  
 After environmental testing: 40m $\Omega$  Max

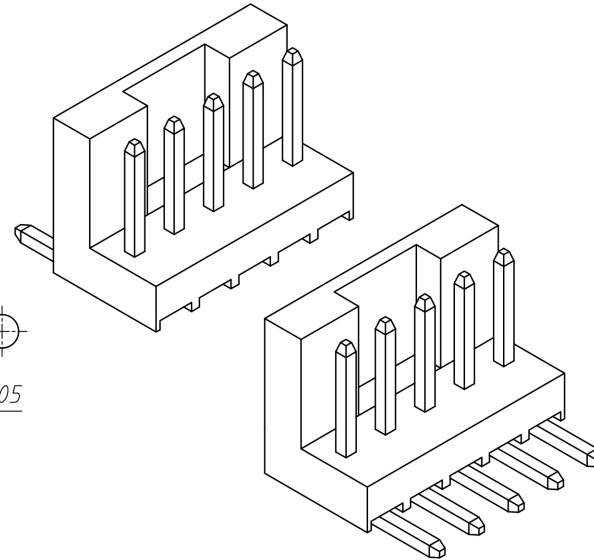
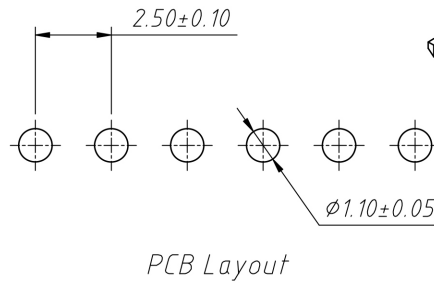
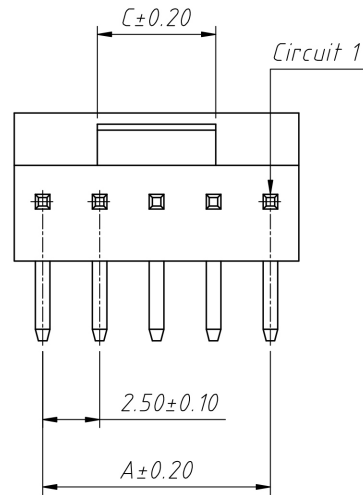


Pin	Dimensions(mm)		
	A	B	C
02	2.50	5.00	2.20
03	5.00	7.50	3.20
04	7.50	10.00	5.20
05	10.00	12.50	5.20
06	12.50	15.00	6.20
07	15.00	17.50	8.20
08	17.50	20.00	10.20
09	20.00	22.50	10.20
10	22.50	25.00	10.20
11	25.00	27.50	11.20
12	27.50	30.00	11.20
13	30.00	32.50	13.20
14	32.50	35.00	13.20
15	35.00	37.50	13.20

**Order Information:**  
 L-ETC1-2.50H-XX-S

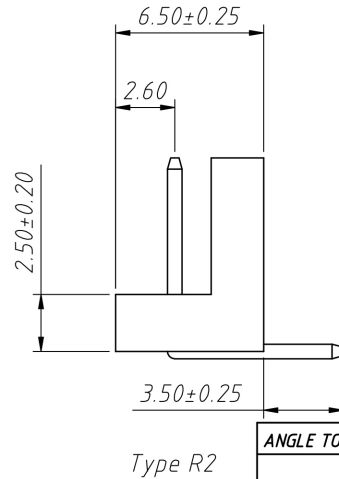
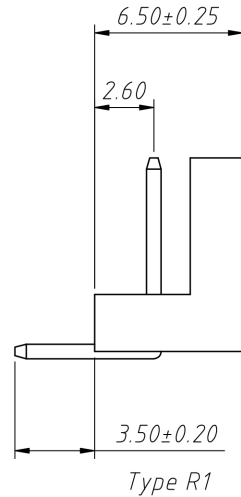
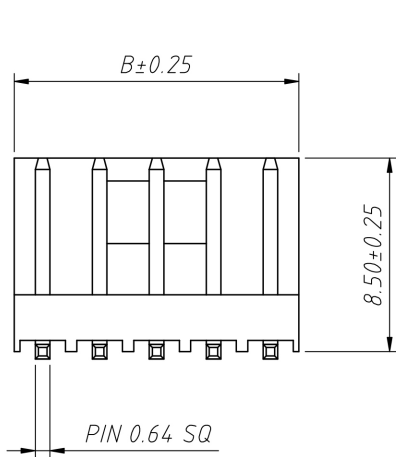
L: RoHS  
 Pitch: 2.50mm  
 XX-No. of 02 ~ 15 pins  
 Type:  
 H-Housing T-Terminal  
 S-Straight pin  
 R1/R2/R3-Right angle pin

ANGLE TOLERANCE	PROJECTION	Description:	2.50mm Pitch CH Type
±3°			Wire To Board Connector
GENERAL TOLERANCE	UNITS	mm	ETC P/N:
x.x ±0.30	SHEET SIZE	A4	L-ETC1-2.50H-XX-S
x.xx ±0.20	Draw:	Daniel	2021-01-11
x.xxx ±0.10	Check:	Daniel	2021-01-11



Material:  
 Housing: PA66, UL 94V-0  
 Color: Blank-natural color pink  
 Contact : Brass  
 Finish : Tin Plating

Electrical Characteristics:  
 Rated Current: 3.0AMP  
 Voltage rating: 250V AC, DC  
 Temperature range: -25°C ~ + 85°C  
 Insulator Resistance: 1000MΩ Min  
 Withstanding Voltage: 1000V AC/minute  
 Contact Resistance: 20mΩ Max  
 After environmental testing: 4.0mΩ Max



Pin	Dimensions(mm)		
	A	B	C
02	2.50	5.00	2.20
03	5.00	7.50	3.20
04	7.50	10.00	5.20
05	10.00	12.50	5.20
06	12.50	15.00	6.20
07	15.00	17.50	8.20
08	17.50	20.00	10.20
09	20.00	22.50	10.20
10	22.50	25.00	10.20
11	25.00	27.50	11.20
12	27.50	30.00	11.20
13	30.00	32.50	13.20
14	32.50	35.00	13.20
15	35.00	37.50	13.20

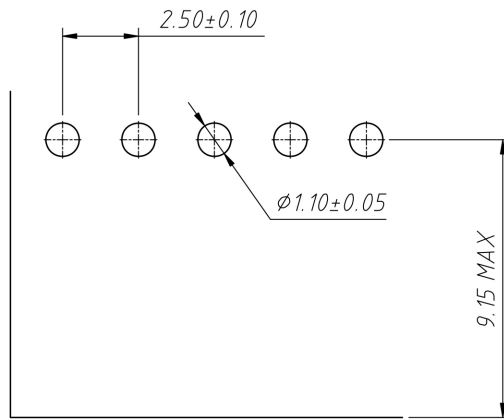
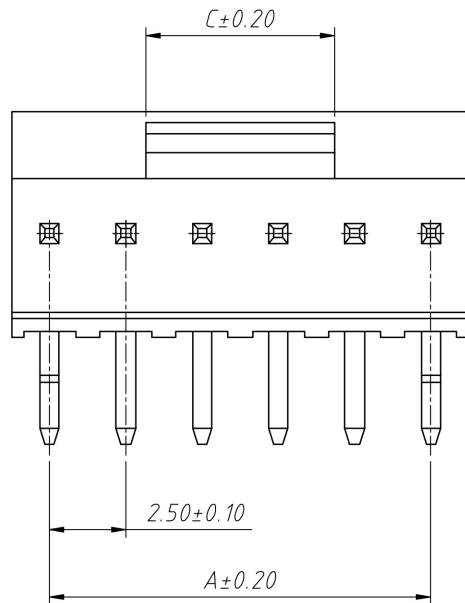
Order Information:  
 L-ETC1-2.50H-XX-R1

L: RoHS  
 Pitch: 2.50mm  
 XX-No. of 02 ~ 15 pins  
 Type:  
 H-Housing T-Terminal  
 S-Straight pin  
 R1/R2/R3-Right angle pin

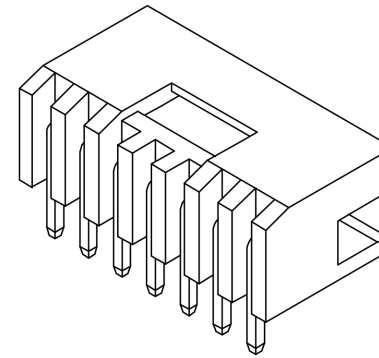
ANGLE TOLERANCE	PROJECTION	Description:	2.50mm Pitch CH Type
±3°			Wire To Board Connector
GENERAL TOLERANCE	UNITS	mm	ETC P/N: L-ETC1-2.50H-XX-R1
x.x ±0.30	SHEET SIZE	A4	ETC ELECTRONICS CO., LTD.
x.xx ±0.20	Draw:	Daniel 2021-01-11	
x.xxx ±0.10	Check:	Daniel 2021-01-11	



RoHS Compliance

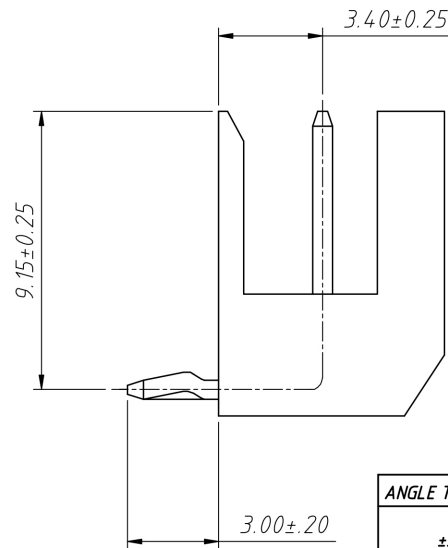
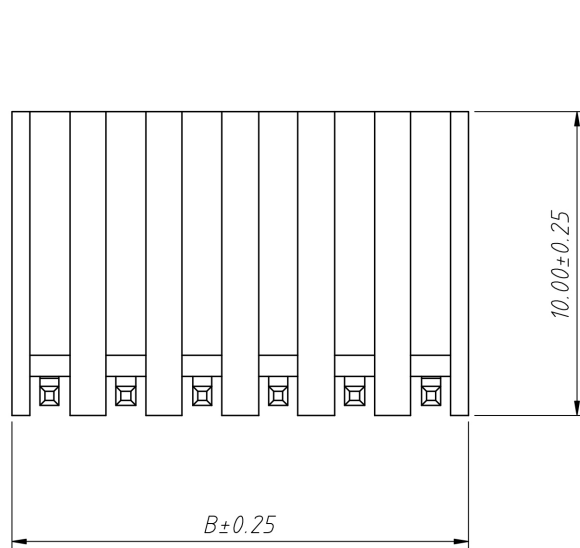


PCB Layout



**Material:**  
 Housing: PBT, UL 94V-0  
 Color: Blank-Natural Color White  
 Contact : Brass  
 Finish : Bright Tin Plating

**Electrical Characteristics:**  
 Rated Current: 3.0AMP  
 Voltage rating: 250V AC, DC  
 Temperature range:  $-25^{\circ}\text{C} \sim +85^{\circ}\text{C}$   
 Insulator Resistance: 1000M $\Omega$  Min  
 Withstanding Voltage: 1000V AC/minute  
 Contact Resistance: 20m $\Omega$  Max  
 After environmental testing: 40m $\Omega$  Max



Pin	Dimensions (mm)		
	A	B	C
02	2.50	5.00	2.20
03	5.00	7.50	3.20
04	7.50	10.00	5.20
05	10.00	12.50	5.20
06	12.50	15.00	6.20
07	15.00	17.50	8.20
08	17.50	20.00	10.20
09	20.00	22.50	10.20
10	22.50	25.00	10.20
11	25.00	27.50	11.20
12	27.50	30.00	11.20
13	30.00	32.50	13.20
14	32.50	35.00	13.20
15	35.00	37.50	13.20

**Order Information:**  
 L-ETC1-2.50H-XX-R3

L: RoHS  
 Pitch: 2.50mm  
 XX-No. of 02 ~ 15 pins  
 Type: \_\_\_\_\_  
 H-Housing T-Terminal  
 S-Straight pin  
 R1/R2/R3-Right angle pin

ANGLE TOLERANCE	PROJECTION	Description:
$\pm 3^{\circ}$		2.50mm Pitch CH Type Wire To Board Connector
GENERAL TOLERANCE	UNITS	mm
x.x $\pm 0.30$	SHEET SIZE	A4
x.xx $\pm 0.20$	Draw:	Daniel 2021-01-11
x.xxx $\pm 0.10$	Check:	Daniel 2021-01-11



ETC ELECTRONICS CO., LTD.