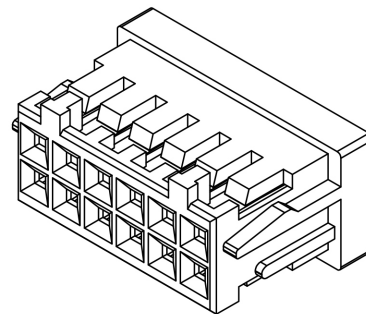
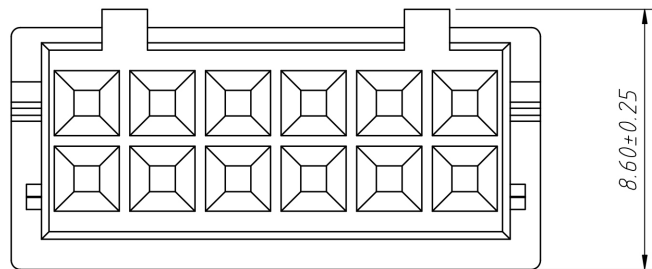
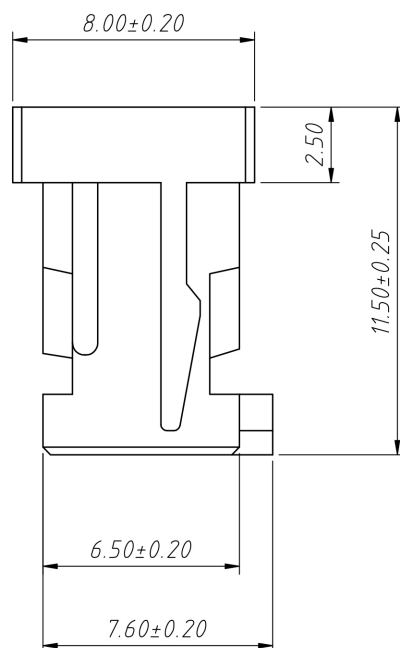
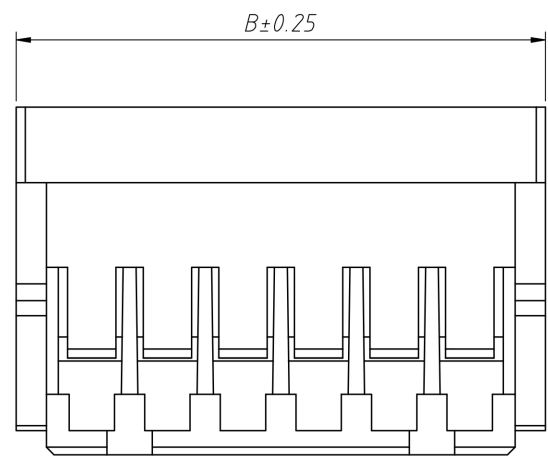


RoHS Compliance



Material:
Housing:PA66,UL94V-0,Natural Color

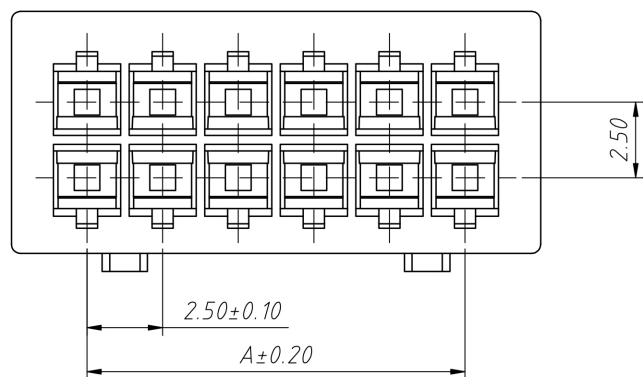
Electrical Characteristics:
Rated Current:3.0AMP
Voltage rating:250V AC,DC
Temperature range:-25°C ~ + 85°C
Insulator Resistance:1000MΩ Min
Withstanding Voltage:1000V AC/minute
Contact Resistance:20mΩ Max
After environmental testing:30mΩ Max



Pin	Dimensions(mm)	
	A	B
2×02	2.50	7.50
2×03	5.00	10.0
2×04	7.50	12.50
2×05	10.00	15.00
2×06	12.50	17.50
2×07	15.00	20.00
2×08	17.50	22.50
2×09	20.00	25.00
2×10	22.50	27.50
2×11	25.00	30.00
2×12	27.50	32.50
2×13	30.00	35.00
2×14	32.50	37.50
2×15	35.00	40.00
2×20	47.50	52.50

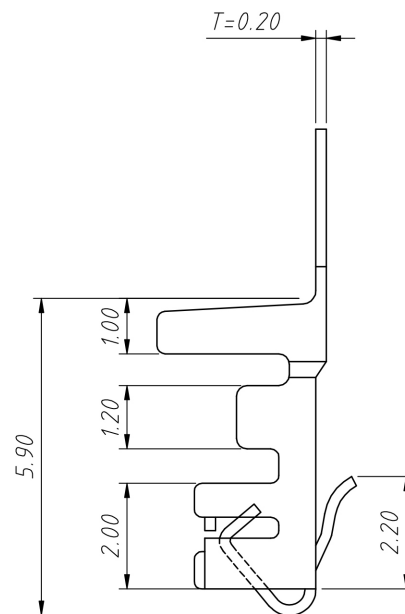
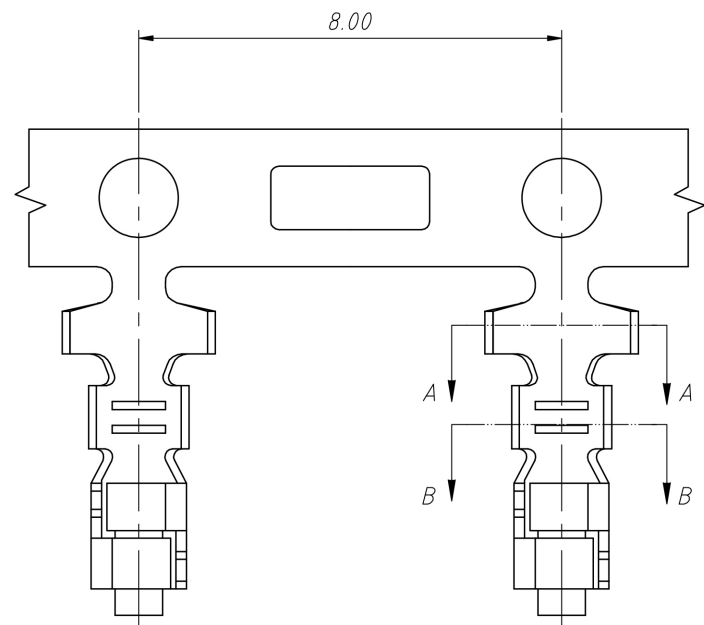
Order Information:
L-ETC1-2.50C-2×XX-H

L: RoHS
Pitch:2.50mm
XX-No.of 04 ~ 40 pins
Type:
H-Housing T-Terminal
S-Straight pin
R-Right angle pin



ANGLE TOLERANCE	PROJECTION	Description:
±3°		2.50mm Pitch XHD Double Type Wire To Board Connector
GENERAL TOLERANCE	UNITS	mm
x.x ±0.30	SHEET SIZE	A4
x.xx ±0.20	Draw:	Daniel 2021-01-11
x.xxx ±0.10	Check:	Daniel 2021-01-11

ETC ELECTRONICS CO., LTD.



Material:
 Terminal: Phosphor Bronze
 Plating: Tin plated
 Applicable wires: AWG #22 ~ # 26
 Insulation O.D: 1.9mm

Electrical Characteristics:
 Rated Current: 3.0AMP
 Voltage rating: 250V AC, DC
 Temperature range: -25°C ~ + 85°C
 Insulator Resistance: 1000M Ω Min
 Withstanding Voltage: 1000V AC/minute
 Contact Resistance: 10m Ω Max
 After environmental testing: 20m Ω Max

Order Information:

L-ETC1-2.50C-T



L: RoHS

Pitch: 2.50mm

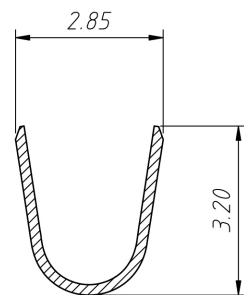
Type:

H-Housing

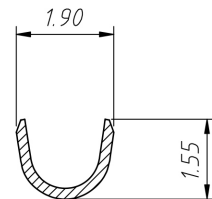
T-Terminal

S-Straight pin

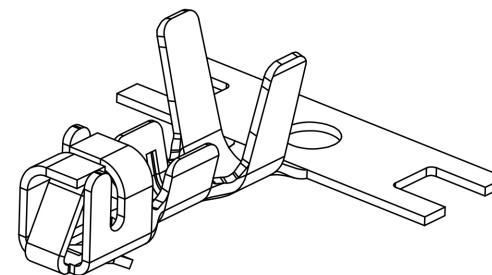
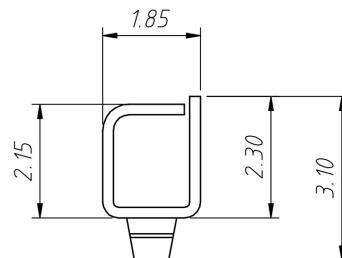
R-Right angle pin



Section: A-A
Scale: 1:1



Section: B-B
Scale: 1:1

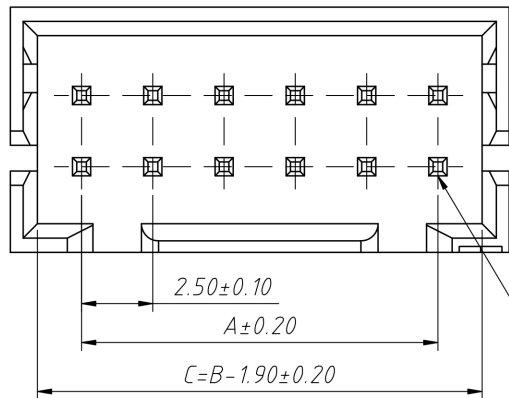
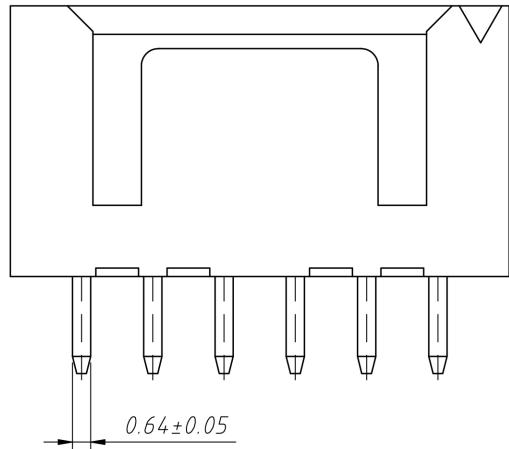
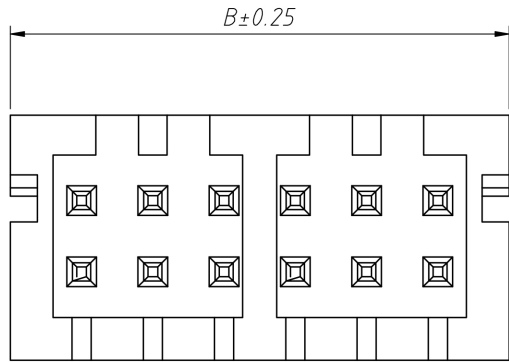


ANGLE TOLERANCE	PROJECTION	Description:	2.50mm Pitch XHD Double Type Wire To Board Connector
$\pm 3^\circ$			
GENERAL TOLERANCE	UNITS	mm	ETC P/N: L-ETC1-2.50C-T
x.x ± 0.30	SHEET SIZE	A4	
x.xx ± 0.20	Draw:	Daniel	2021-01-11
x.xxx ± 0.10	Check:	Daniel	2021-01-11

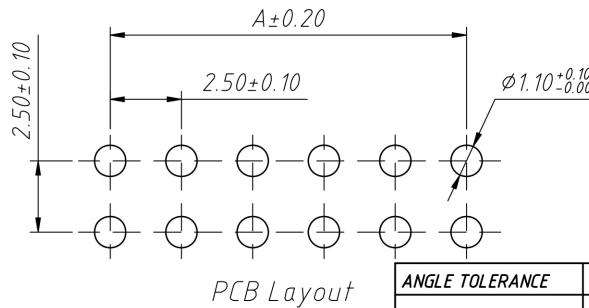
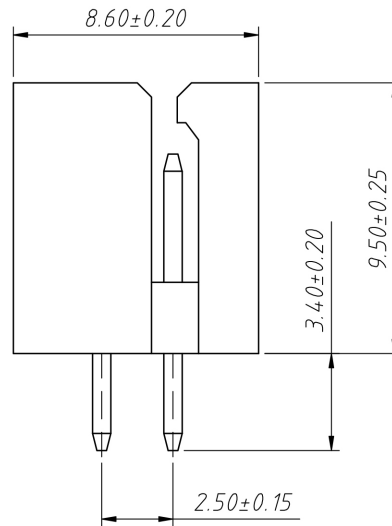
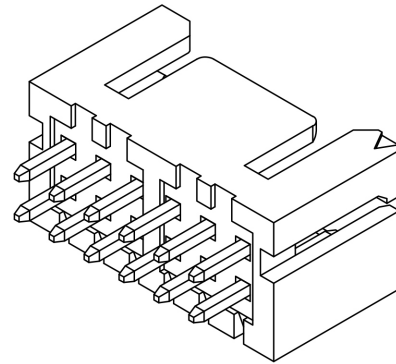


ETC ELECTRONICS CO., LTD.

RoHS Compliance



Contact No.1



PCB Layout

Material:
Housing:PA66,UL94V-0,Natural Color
Contact : Brass
Finish : Tin Plating

Electrical Characteristics:
Rated Current:3.0AMP
Voltage rating:250V AC,DC
Temperature range:-25°C ~ +85°C
Insulator Resistance:1000MΩ Min
Withstanding Voltage:1000V AC/minute
Contact Resistance:20mΩ Max
After environmental testing:30mΩ Max

Pin	Dimensions(mm)	
	A	B
2×02	2.50	7.50
2×03	5.00	10.0
2×04	7.50	12.50
2×05	10.00	15.00
2×06	12.50	17.50
2×07	15.00	20.00
2×08	17.50	22.50
2×09	20.00	25.00
2×10	22.50	27.50
2×11	25.00	30.00
2×12	27.50	32.50
2×13	30.00	35.00
2×14	32.50	37.50
2×15	35.00	40.00
2×20	47.50	52.50

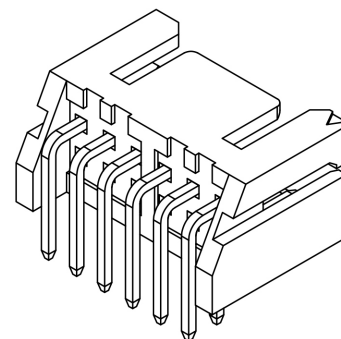
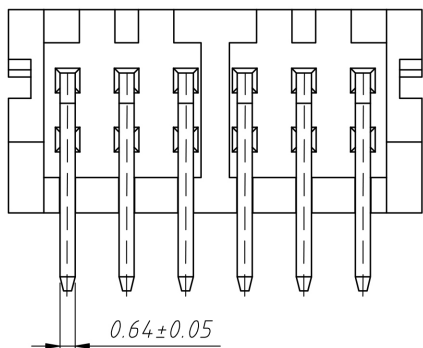
Order Information:
L-ETC1-2.50C-2×XX-S

L: RoHS
Pitch:2.50mm
XX-No. of 04 ~ 40 pins
Type:
H-Housing T-Terminal
S-Straight pin
R-Right angle pin

ANGLE TOLERANCE	PROJECTION	Description:
±3°		2.50mm Pitch XHD Double Type Wire To Board Connector
GENERAL TOLERANCE	UNITS	ETC P/N:
x.x ±0.30	mm	L-ETC1-2.50C-2×XX-S
x.xx ±0.20	SHEET SIZE	A4
x.xxx ±0.10	Draw:	Daniel 2021-01-11
	Check:	Daniel 2021-01-11

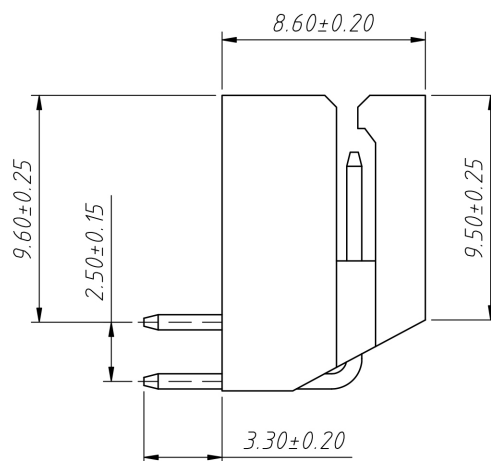
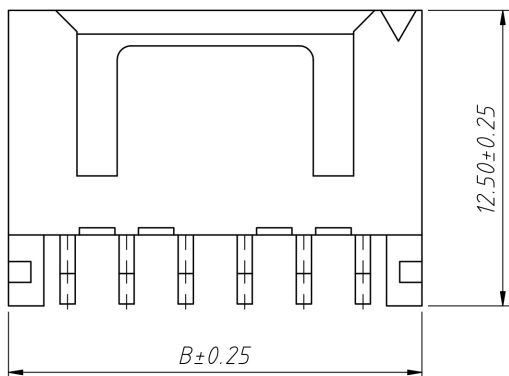


ETC ELECTRONICS CO., LTD.



Material:
 Housing: PA66, UL 94V-0, Natural Color
 Contact : Brass
 Finish : Tin Plating

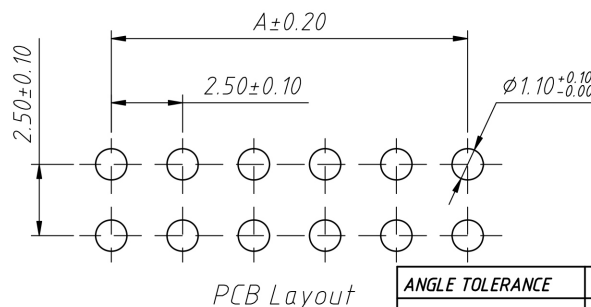
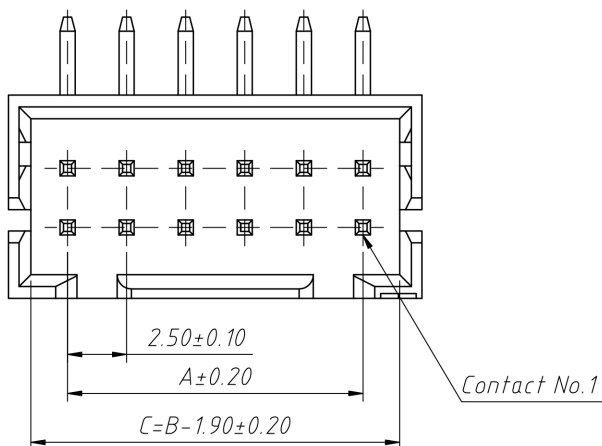
Electrical Characteristics:
 Rated Current: 3.0AMP
 Voltage rating: 250V AC, DC
 Temperature range: -25°C ~ + 85°C
 Insulator Resistance: 1000MΩ Min
 Withstanding Voltage: 1000V AC/minute
 Contact Resistance: 20mΩ Max
 After environmental testing: 30mΩ Max



Pin	Dimensions (mm)	
	A	B
2×02	2.50	7.50
2×03	5.00	10.0
2×04	7.50	12.50
2×05	10.00	15.00
2×06	12.50	17.50
2×07	15.00	20.00
2×08	17.50	22.50
2×09	20.00	25.00
2×10	22.50	27.50
2×11	25.00	30.00
2×12	27.50	32.50
2×13	30.00	35.00
2×14	32.50	37.50
2×15	35.00	40.00
2×20	47.50	52.50

Order Information:
 L-ETC1-2.50C-2×XX-R

L: RoHS
 Pitch: 2.50mm
 XX-No. of 04 ~ 40 pins
 Type:
 H-Housing T-Terminal
 S-Straight pin
 R-Right angle pin



ANGLE TOLERANCE	PROJECTION	Description:
±3°		2.50mm Pitch XHD Double Type Wire To Board Connector
GENERAL TOLERANCE	UNITS	mm
x.x ±0.30	SHEET SIZE	A4
x.xx ±0.20	Draw:	Daniel 2021-01-11
x.xxx ±0.10	Check:	Daniel 2021-01-11

L-ETC1-2.50C-2×XX-R

ETC ELECTRONICS CO., LTD.