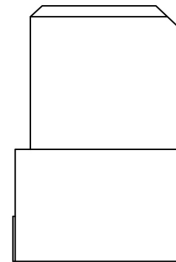
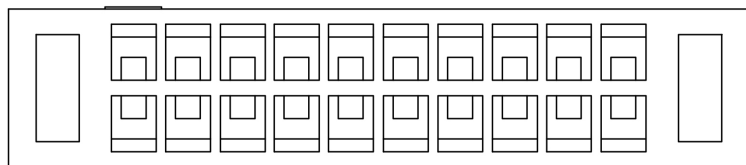
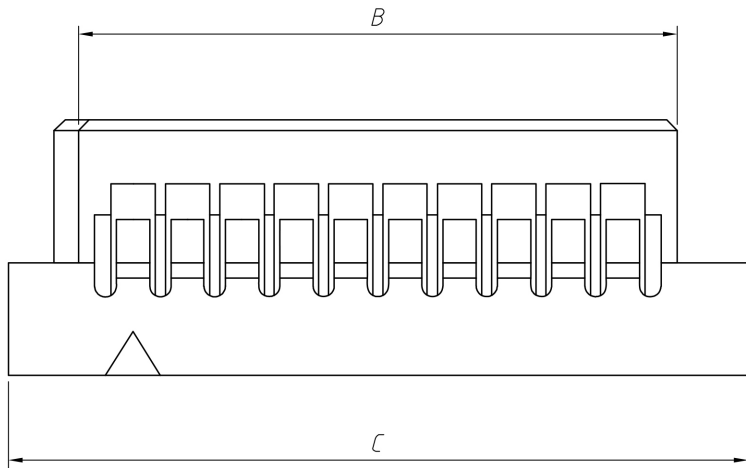
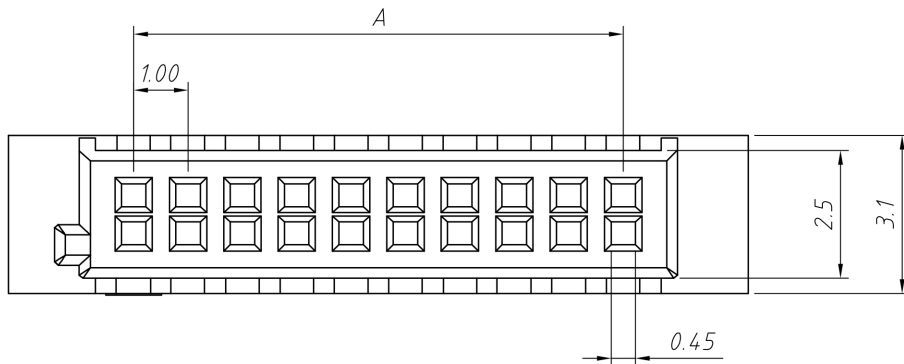


RoHS Compliance



Material:
Housing: PA46, UL 94V-0,
Colour: Natural

Electrical Characteristics:
Current rating: 1.0A AC, DC
Voltage rating: 50V AC, DC
Temperature range: -25°C ~ +85°C
Insulation resistance: 100MΩ/Min.
Withstanding voltage: 500V AC/minute
Contact resistance: 20mΩ/Max.

| Poles | Dimensions (mm) | | | PCS/Bag |
|-------|-----------------|------|------|---------|
| | A | B | C | |
| 2×8 | 7.0 | 9.0 | 11.6 | 1000 |
| 2×10 | 9.0 | 11.0 | 13.6 | 1000 |
| 2×15 | 14.0 | 16.0 | 18.6 | 1000 |
| 2×20 | 19.0 | 21.0 | 23.6 | 1000 |
| 2×25 | 24.0 | 26.0 | 28.6 | 1000 |

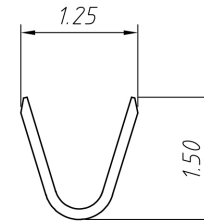
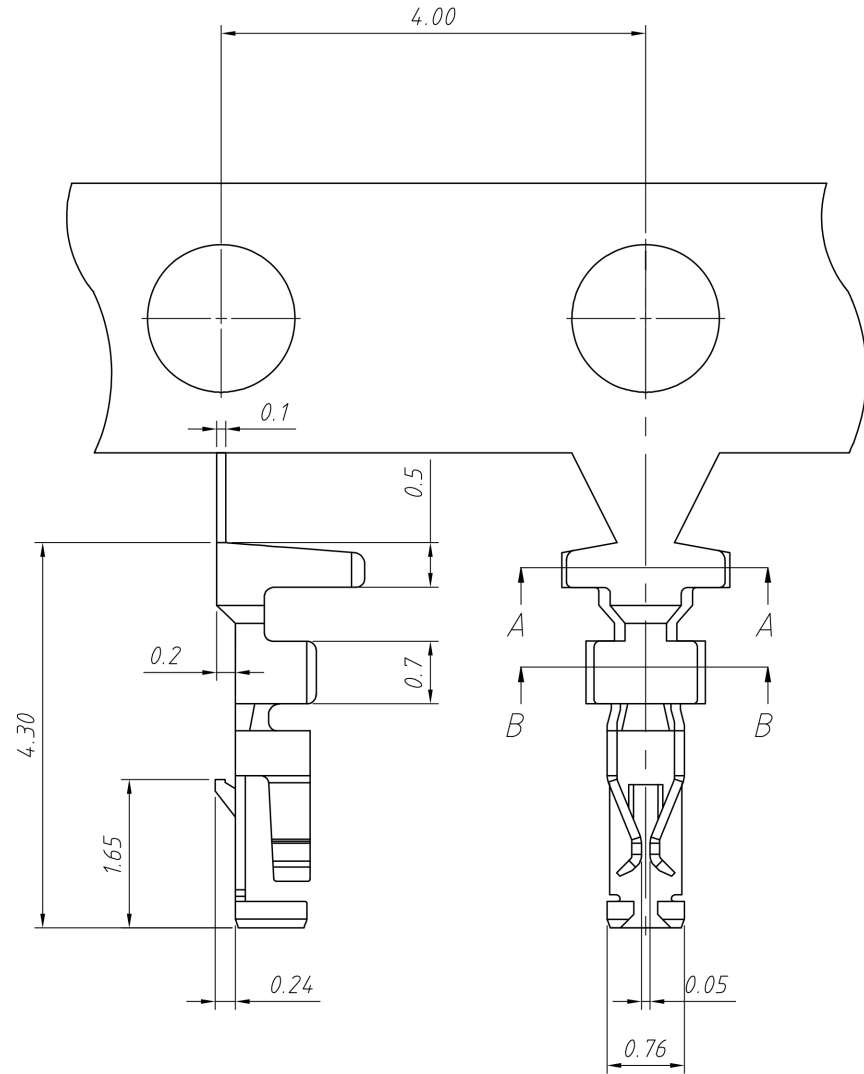
Order Information:
L-ETC1-XF12-1.00-XX-H

L: RoHS
1.00mm Pitch
XX-No. of 16 ~ 50pin
Type: _____
H-Hosing T-Terminal
VM-Vertical SMT Pin
RM-Horizontal SMT Pin

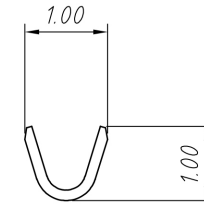
| ANGLE TOLERANCE | PROJECTION | Description: |
|-------------------|------------|---|
| ±3° | | 1.00mm Pitch 88252 Wire to board connector |
| GENERAL TOLERANCE | UNITS | mm |
| x.x ±0.30 | SHEET SIZE | A4 |
| x.xx ±0.20 | Draw: | Daniel 2020-11-11 |
| x.xxx ±0.10 | Check: | Daniel 2020-11-11 |

ETC ETC ELECTRONICS CO., LTD.

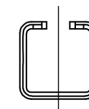
RoHS Compliance



SECTION A-A



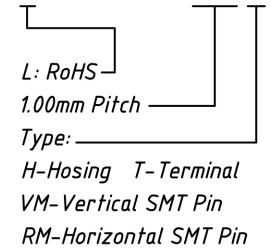
SECTION B-B



Material:
 Terminal: Phosphor Bronze
 Finish: Gold plated
 Applicable wires: AWG #28 ~ #32
 Insulation O.D.: 0.8mm Max.
 Qty/reel: 15000PCS

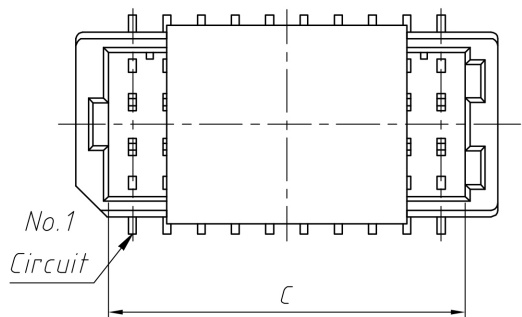
Electrical Characteristics:
 Current rating: 1.0A AC, DC
 Voltage rating: 50V AC, DC
 Temperature range: -25°C ~ +85°C
 Insulation resistance: 100MΩ/Min.
 Withstanding voltage: 500V AC/minute
 Contact resistance: 20mΩ/Max.

Order Information:
 L-ETC1-XF12-1.00-T



| ANGLE TOLERANCE | PROJECTION | Description: |
|-------------------|------------|---|
| ±3° | | 1.00mm Pitch 88252 Wire to board connector |
| GENERAL TOLERANCE | UNITS | mm |
| x.x ±0.30 | SHEET SIZE | A4 |
| x.xx ±0.20 | Draw: | Daniel 2020-11-11 |
| x.xxx ±0.10 | Check: | Daniel 2020-11-11 |

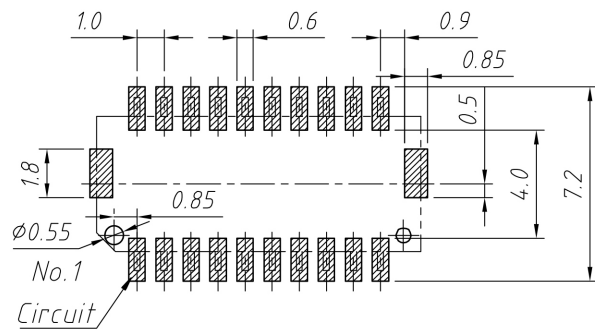
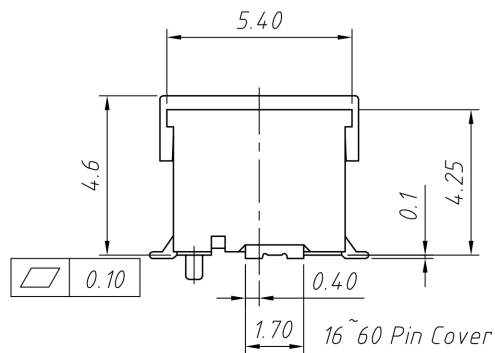
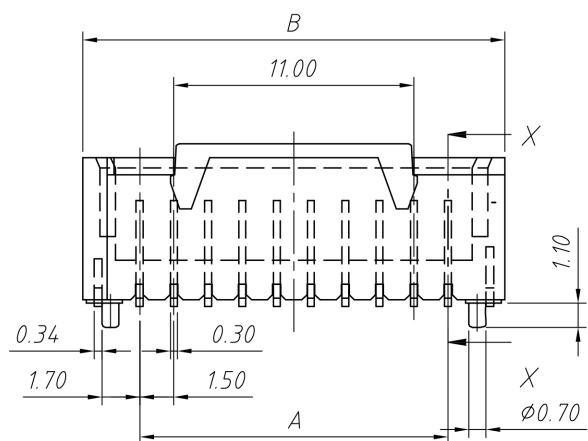
ETC ETC ELECTRONICS CO., LTD.



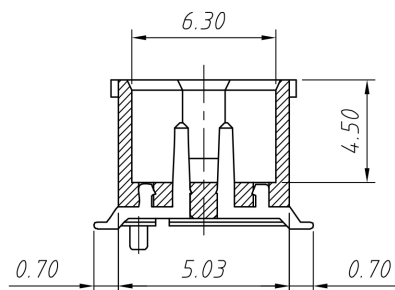
| Poles | Dimensions(mm) | | |
|-------|----------------|-------|-------|
| | A | B | C |
| 2x8 | 7.00 | 10.30 | 8.40 |
| 2x9 | 8.00 | 11.30 | 9.40 |
| 2x10 | 9.00 | 12.30 | 10.40 |
| 2x12 | 11.00 | 14.30 | 12.40 |
| 2x14 | 13.00 | 16.30 | 14.40 |
| 2x15 | 14.00 | 17.30 | 15.40 |
| 2x17 | 16.00 | 19.30 | 17.40 |
| 2x20 | 19.00 | 22.30 | 20.40 |
| 2x25 | 24.00 | 27.30 | 25.40 |
| 2x30 | 29.00 | 32.30 | 30.40 |

Material:
 Wafer: PA6T, UL94V-0,
 Colour: Natural
 Pin: Brass, Gold flash
 Solder Tabs: Brass, Gold flash

Electrical Characteristics:
 Current rating: 1.0A AC, DC
 Voltage rating: 50V AC, DC
 Temperature range: -25°C ~ +85°C
 Insulation resistance: 100MΩ/Min.
 Withstanding voltage: 250V AC/minute
 Contact resistance: 20mΩ/Max.



PCB PATTERN LAYOUT



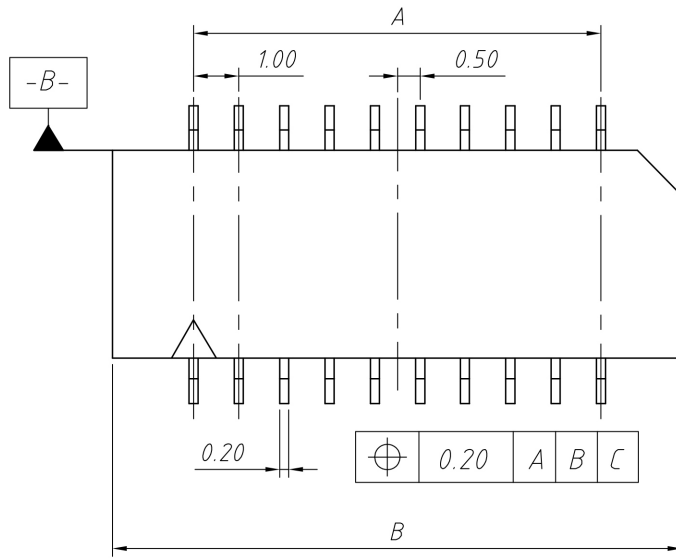
Order Information:
 L-ETC1-XF12-1.00-XX-VM
 L: RoHS
 1.00mm Pitch
 XX-No. of 16~60pin
 Type: _____
 H-Hosing T-Terminal
 VM-Vertical SMT Pin
 RM-Horizontal SMT Pin

| ANGLE TOLERANCE | PROJECTION | Description: | 1.00mm Pitch 88252 |
|-------------------|------------|--------------|-------------------------|
| ±3° | | | Wire to board connector |
| GENERAL TOLERANCE | UNITS | mm | ETC P/N: |
| x.x ±0.30 | SHEET SIZE | A4 | L-ETC1-XF12-1.00-XX-VM |
| x.xx ±0.20 | Draw: | Daniel | 2020-11-11 |
| x.xxx ±0.10 | Check: | Daniel | 2020-11-11 |



ETC ELECTRONICS CO., LTD.

RoHS Compliance

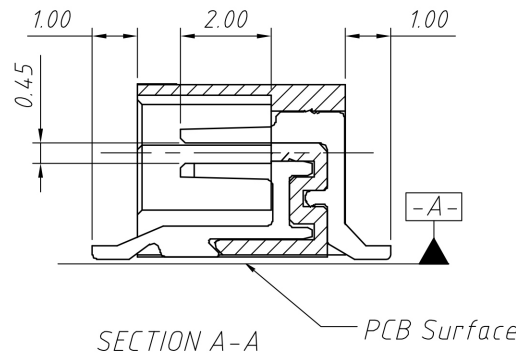
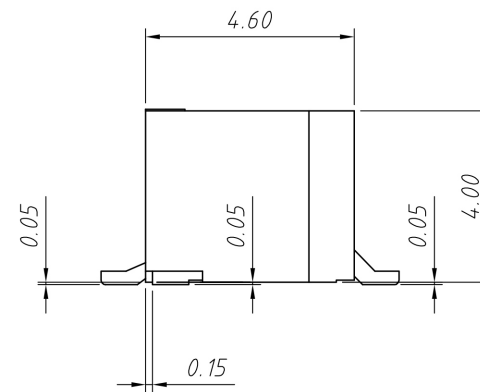
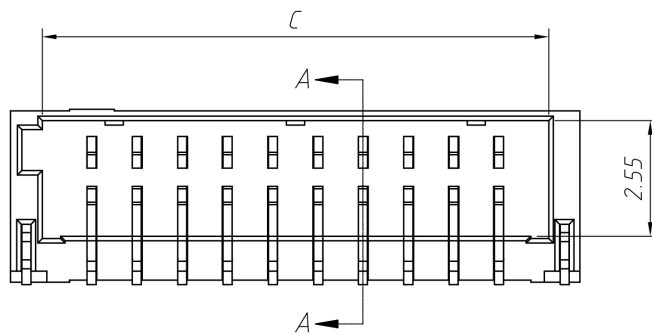


| Poles | Dimensions(mm) | | | Poles | Dimensions(mm) | | |
|-------|----------------|-------|-------|-------|----------------|-------|-------|
| | A | B | C | | A | B | C |
| 2x3 | 2.00 | 5.60 | 4.20 | 2x15 | 14.00 | 17.60 | 16.20 |
| 2x4 | 3.00 | 6.60 | 5.20 | 2x16 | 15.00 | 18.60 | 17.20 |
| 2x5 | 4.00 | 7.60 | 6.20 | 2x17 | 16.00 | 19.60 | 18.20 |
| 2x6 | 5.00 | 8.60 | 7.20 | 2x18 | 17.00 | 20.60 | 19.20 |
| 2x7 | 6.00 | 9.60 | 8.20 | 2x19 | 18.00 | 21.60 | 20.20 |
| 2x8 | 7.00 | 10.60 | 9.20 | 2x20 | 19.00 | 22.60 | 21.20 |
| 2x9 | 8.00 | 11.60 | 10.20 | 2x21 | 20.00 | 23.60 | 22.20 |
| 2x10 | 9.00 | 12.60 | 11.20 | 2x22 | 21.00 | 24.60 | 23.20 |
| 2x11 | 10.00 | 13.60 | 12.20 | 2x23 | 22.00 | 25.60 | 24.20 |
| 2x12 | 11.00 | 14.60 | 13.20 | 2x24 | 23.00 | 26.60 | 25.20 |
| 2x13 | 12.00 | 15.60 | 14.20 | 2x25 | 24.00 | 27.60 | 26.20 |
| 2x14 | 13.00 | 16.60 | 15.20 | | | | |

Material:
 Wafer: PA6T, UL94V-0,
 Colour: Natural
 Pin: Brass, Gold flash
 Solder Tabs: Brass, Gold flash

Electrical Characteristics:
 Current rating: 1.0A AC,DC
 Voltage rating: 50V AC,DC
 Temperature range: -25°C ~ +85°C
 Insulation resistance: 100MΩ/Min.
 Withstanding voltage: 250V AC/minute
 Contact resistance: 20mΩ/Max.

| Poles | Dimensions(mm) | |
|-------|----------------|------|
| | A | B |
| 02 | 4.00 | 1.00 |
| 03 | 5.00 | 2.00 |
| 04 | 6.00 | 3.00 |
| 05 | 7.00 | 4.00 |



Order Information:
 L-ETC1-XF12-1.00-XX-RM
 L: RoHS
 1.00mm Pitch
 XX-No. of 06 ~ 50pin
 Type: _____
 H-Hosing T-Terminal
 VM-Vertical SMT Pin
 RM-Horizontal SMT Pin

| ANGLE TOLERANCE | PROJECTION | Description: |
|-------------------|------------|---|
| ±3° | | 1.00mm Pitch 88252 Wire to board connector |
| GENERAL TOLERANCE | UNITS | mm |
| x.x ±0.30 | SHEET SIZE | A4 |
| x.xx ±0.20 | Draw: | Daniel 2020-11-11 |
| x.xxx ±0.10 | Check: | Daniel 2020-11-11 |



ETC ELECTRONICS CO., LTD.