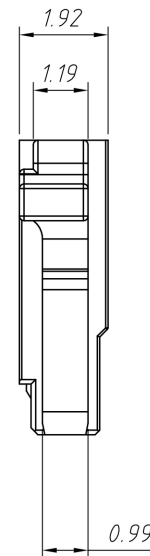
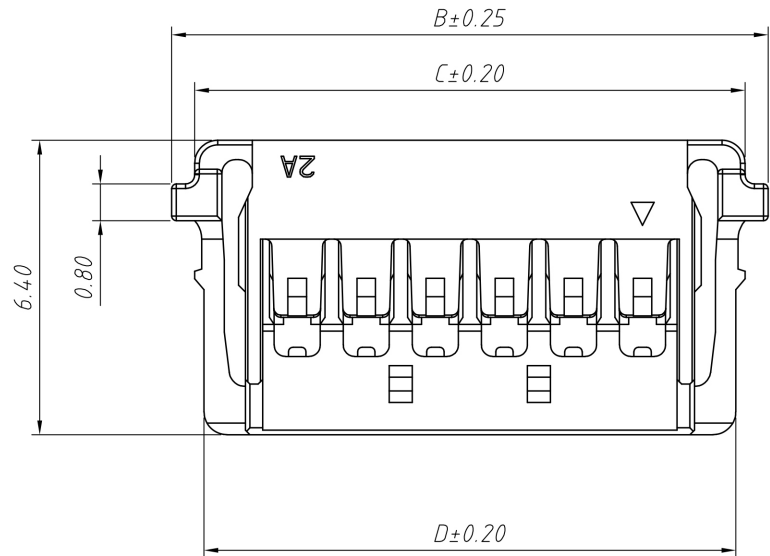
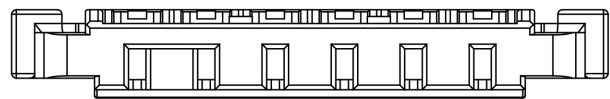


Material:  
Housing:PA66,UL 94-V0  
Color:Blank-natural color

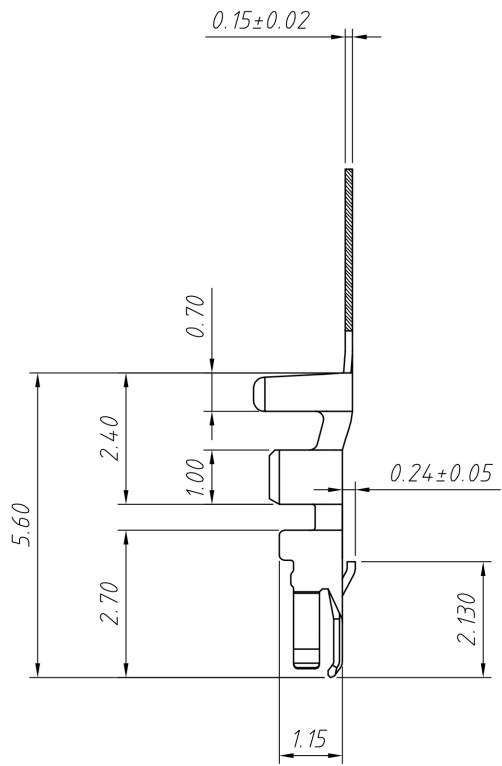
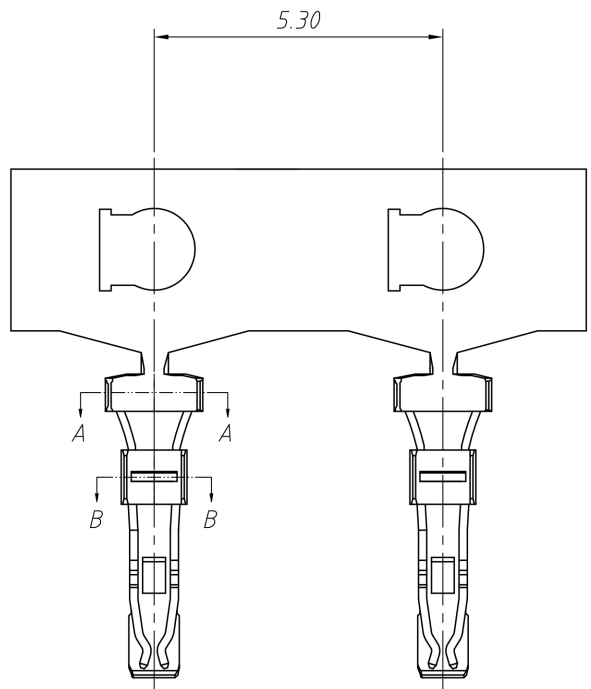
Specifications:  
Voltage rating:150V AC/DC  
Current rating:3A AC/DC  
Withstanding voltage:500V AC/minute  
Insulation resistance:1000M $\Omega$  Min.  
Contact resistance:20m $\Omega$  Max.  
After environmental testing:40m $\Omega$  Max.  
Temperature range:-25°C ~ +85°C



| Circuit | Dimensions(mm) |       |       |       |
|---------|----------------|-------|-------|-------|
|         | A              | B     | C     | D     |
| 02      | 1.50           | 6.95  | 5.95  | 5.55  |
| 03      | 3.00           | 8.45  | 7.45  | 7.05  |
| 04      | 4.50           | 9.95  | 8.95  | 8.55  |
| 05      | 6.00           | 11.45 | 10.45 | 10.05 |
| 06      | 7.50           | 12.95 | 11.95 | 11.55 |
| 07      | 9.00           | 14.45 | 12.45 | 13.05 |
| 08      | 10.50          | 15.95 | 14.95 | 14.55 |
| 09      | 12.00          | 17.45 | 15.45 | 16.05 |
| 10      | 13.50          | 18.95 | 17.95 | 17.55 |
| 12      | 16.50          | 21.95 | 20.95 | 20.55 |

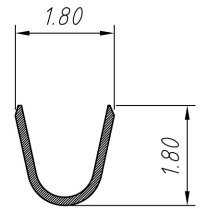


| GENERAL TOLERANCE | PROJECTION |            | Description:                         |
|-------------------|------------|------------|--------------------------------------|
| X. $\pm 0.30$     | UNITS      | mm         | Pitch 1.50mm Wire To Board Connector |
| .X $\pm 0.20$     | SCALE      | 1:1        |                                      |
| .XX $\pm 0.10$    | Draw by:   | Jenny      | ETC P/N: L-ETC1-MK-150-04-H          |
| ANGLE TOLERANCE   | Check by:  |            | ETC ELECTRONICS CO., LTD.            |
| X. $\pm 5^\circ$  | Date       | 2018-03-01 |                                      |
| .X $\pm 3^\circ$  | SHEET      | 1 OF 1     |                                      |
| .XX $\pm 2^\circ$ |            |            |                                      |

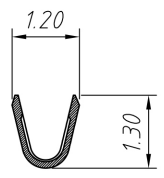


**Material:**  
 Terminal :Phosphor Bronze,  
 Gold Flash /Bright tin plating.  
 Wire Range:AWG#24-28  
 Insulation OD:1.10mm Max.

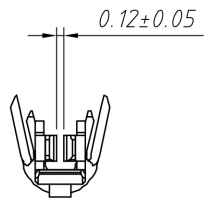
**Specifications:**  
 Voltage rating:150V AC/DC  
 Current rating:3A AC/DC  
 Withstanding voltage:500V AC/minute  
 Insulation resistance:1000M $\Omega$  Min.  
 Contact resistance:20m $\Omega$  Max.  
 After environmental testing:40m $\Omega$  Max.  
 Temperature range:-25°C ~ +85°C



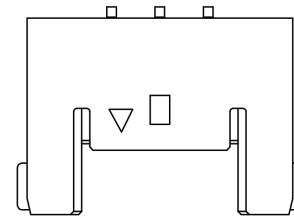
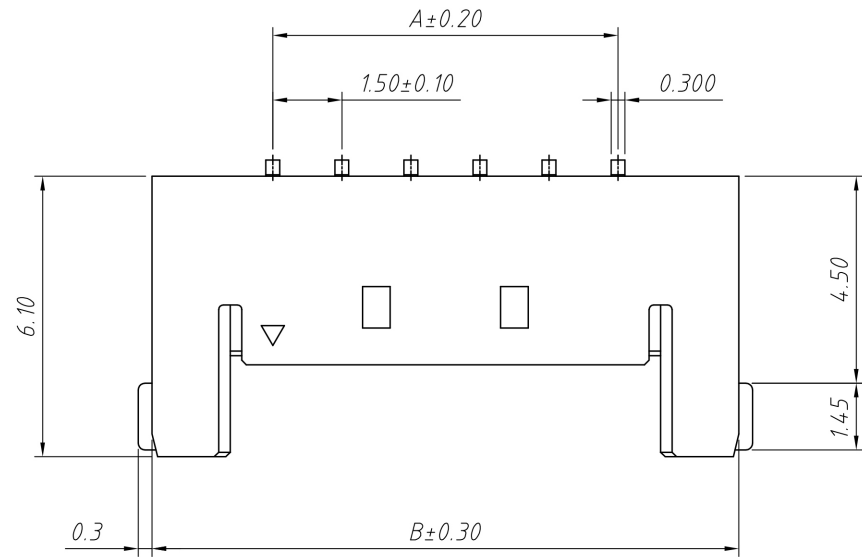
Section: A-A  
 Scale: 1:1



Section: B-B  
 Scale: 1:1



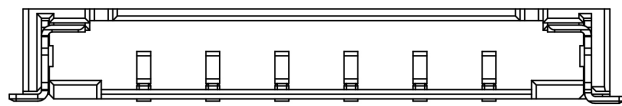
| GENERAL TOLERANCE | PROJECTION |            | Description:              |
|-------------------|------------|------------|---------------------------|
| X. $\pm 0.30$     | UNITS      | mm         | Pitch 1.50mm Terminal     |
| .X $\pm 0.20$     | SCALE      | 1:1        |                           |
| .XX $\pm 0.10$    | Draw by:   | Jenny      | ETC P/N: L-ETC1-MK-1.50-T |
| ANGLE TOLERANCE   | Check by:  |            | ETC ELECTRONICS CO., LTD. |
| X. $\pm 5^\circ$  | Date       | 2018-03-01 |                           |
| .X $\pm 3^\circ$  | SHEET      | 1 OF 1     |                           |
| .XX $\pm 2^\circ$ |            |            |                           |



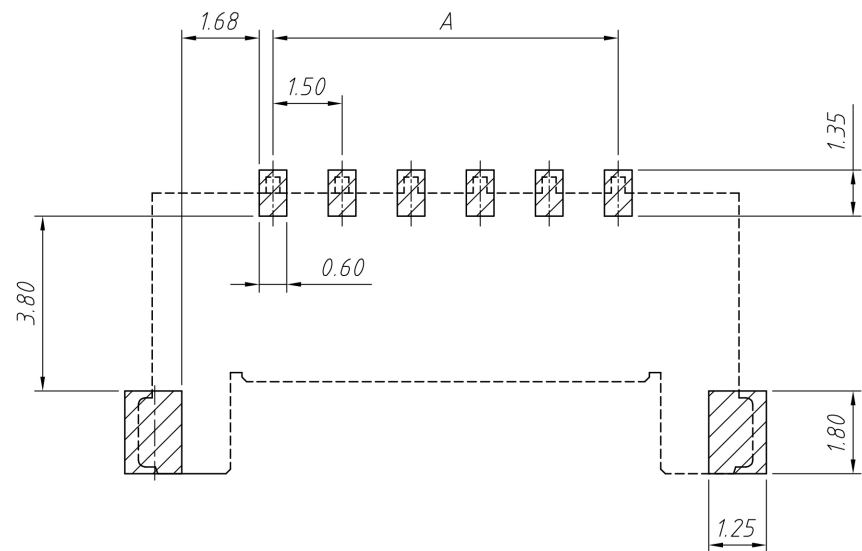
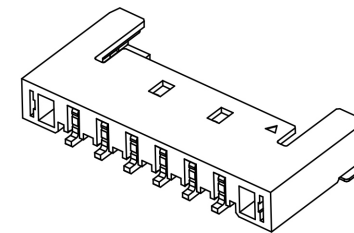
02P~04P Single Hole  
Scale 1:0.7

**Material:**  
 Insulator: PA4T, UL 94V-0  
 Color: Blank-Natural color  
 Pin: Phosphor Bronze, Gold Flash  
 Solder Tabs: Brass, Tin Plating

**Specifications:**  
 Voltage rating: 150V AC/DC  
 Current rating: 3A AC/DC  
 Withstanding voltage: 500V AC/minute  
 Insulation resistance: 1000M $\Omega$  Min.  
 Contact resistance: 20m $\Omega$  Max.  
 After environmental testing: 40m $\Omega$  Max.  
 Temperature range: -25°C ~ +85°C



| Circuit | Dimensions(mm) |       |
|---------|----------------|-------|
|         | A              | B     |
| 02      | 1.50           | 6.75  |
| 03      | 3.00           | 8.25  |
| 04      | 4.50           | 9.75  |
| 05      | 6.00           | 11.25 |
| 06      | 7.50           | 12.75 |
| 07      | 9.00           | 14.25 |
| 08      | 10.50          | 15.75 |
| 09      | 12.00          | 17.25 |
| 10      | 13.50          | 18.75 |
| 11      | 15.00          | 20.25 |
| 12      | 16.50          | 21.75 |



| GENERAL TOLERANCE | PROJECTION |            | Description:                         |
|-------------------|------------|------------|--------------------------------------|
| X. $\pm 0.30$     | UNITS      | mm         | Pitch 1.50mm wire to board connector |
| .X $\pm 0.20$     | SCALE      | 1:1        |                                      |
| .XX $\pm 0.10$    | Draw by:   | Jenny      |                                      |
| ANGLE TOLERANCE   | Check by:  |            | ETC P/N: L-ETC1-MK-1.50-04-RM        |
| X. $\pm 5^\circ$  | Date       | 2018-03-01 |                                      |
| .X $\pm 3^\circ$  | SHEET      | 1 OF 1     |                                      |
| .XX $\pm 2^\circ$ |            |            |                                      |