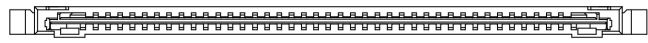
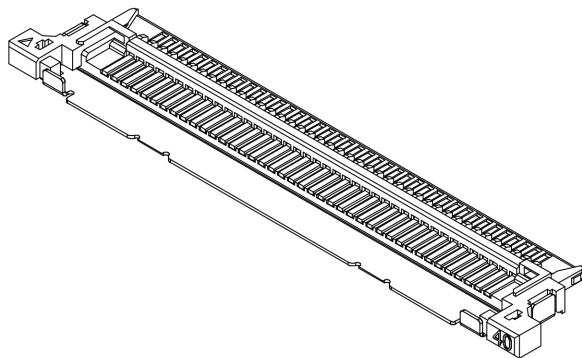
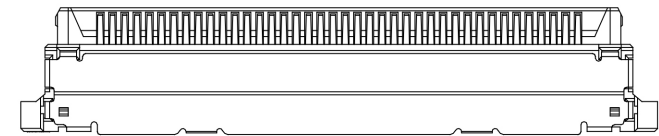
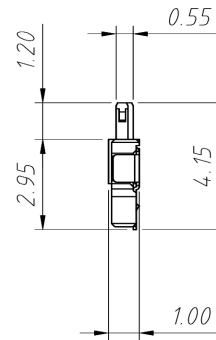
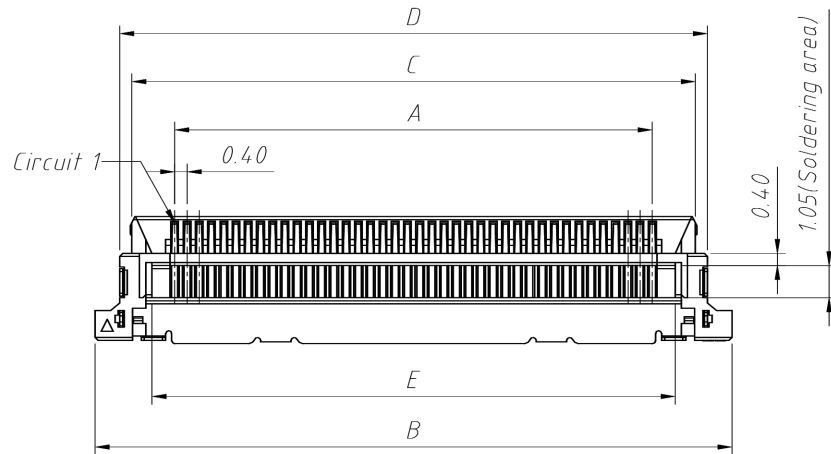


RoHS Compliance



| Poles | A | B | C | D | E |
|-------|-------|-------|-------|-------|-------|
| 30 | 11.60 | 16.80 | 14.40 | 15.20 | 13.10 |
| 40 | 15.60 | 20.80 | 18.40 | 19.20 | 17.10 |



Material:

Housing: LCP, UL 94V-0

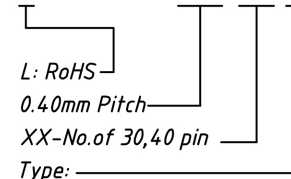
Pin: Phosphor Bronze, Gold-plated

Shell: Phosphor Bronze, Tin-plated

Suitable Coaxial Cable #40,42

Order Information:

L-ETC1-XF1-0.40-XX-H



Electrical Characteristics:

Current rating: 0.3A AC,DC

Voltage rating: 100V AC,DC

Temperature range: -25°C ~ +85°C

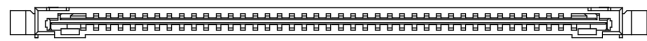
Contact resistance: 40mΩ/Max.

Insulation resistance: 1000MΩ/Min.

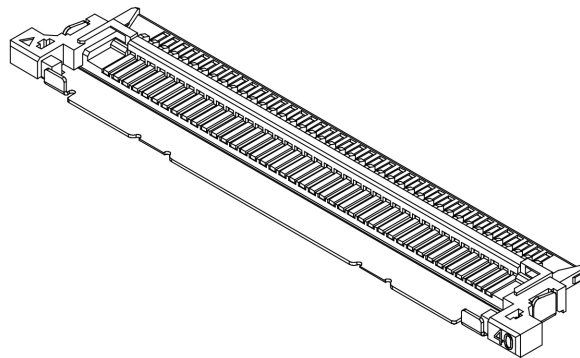
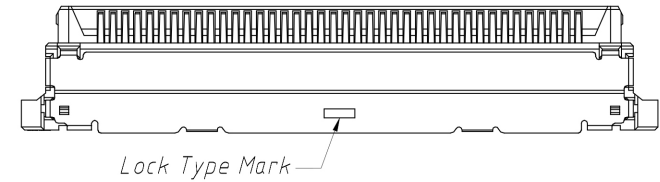
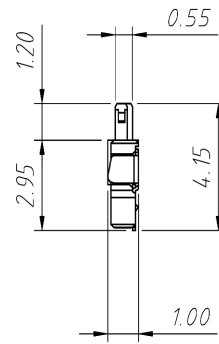
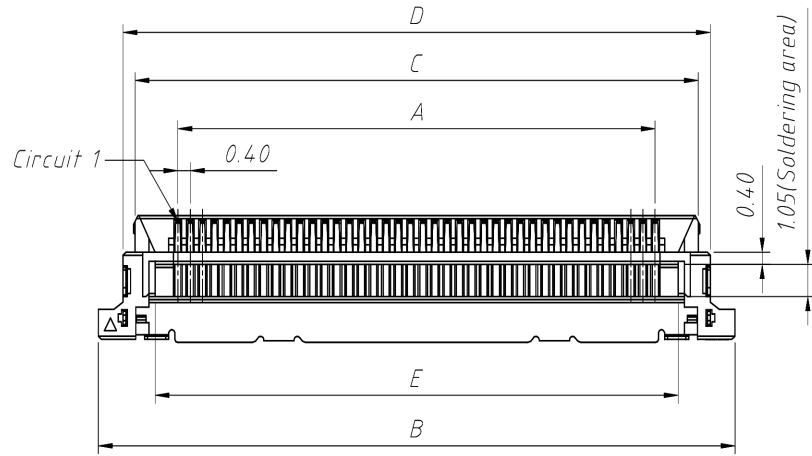
Withstanding voltage: 250V AC/minute

| ANGLE TOLERANCE | PROJECTION | Description: | | |
|-------------------|------------|---------------------------------------|------------|----------------------|
| ±3° | | 0.40mm Pitch board to board connector | | |
| GENERAL TOLERANCE | UNITS | mm | ETC P/N: | L-ETC1-XF1-0.40-XX-H |
| x.x ±0.30 | SHEET SIZE | A4 | | |
| x.xx ±0.20 | Draw: | Daniel | 2020-11-11 | |
| x.xxx ±0.10 | Check: | Daniel | 2020-11-11 | |

RoHS Compliance



| Poles | A | B | C | D | E |
|-------|-------|-------|-------|-------|-------|
| 30 | 11.60 | 16.80 | 14.40 | 15.20 | 13.10 |
| 40 | 15.60 | 20.80 | 18.40 | 19.20 | 17.10 |



Material:

Housing: LCP, UL 94V-0

Pin: Phosphor Bronze, Gold-plated

Shell: Phosphor Bronze, Tin-plated

Suitable Coaxial Cable #40,42

Electrical Characteristics:

Current rating: 0.3A AC,DC

Voltage rating: 100V AC,DC

Temperature range: -25°C ~ +85°C

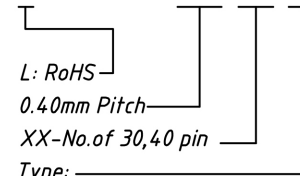
Contact resistance: 40mΩ/Max.

Insulation resistance: 1000MΩ/Min.

Withstanding voltage: 250V AC/minute

Order Information:

L-ETC1-XF1-0.40-XX-HA



H-Without lock Hosing

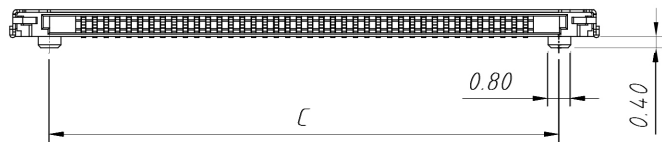
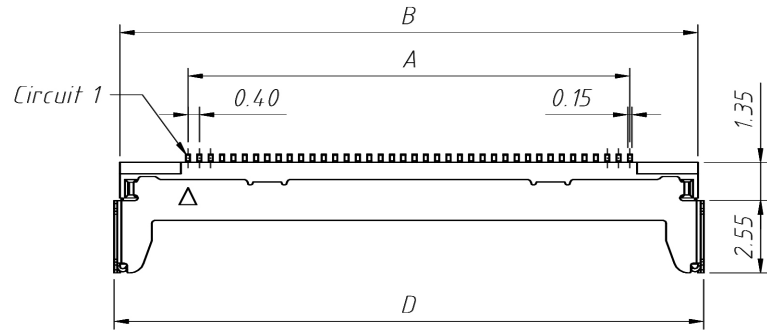
HA-With lock Hosing

| ANGLE TOLERANCE | | PROJECTION | | Description: | |
|-------------------|-------|------------|--------|---------------------------------------|-----------------------|
| ±3° | | | | 0.40mm Pitch board to board connector | |
| GENERAL TOLERANCE | | UNITS | mm | ETC P/N: | L-ETC1-XF1-0.40-XX-HA |
| x.x | ±0.30 | SHEET SIZE | A4 | | |
| x.xx | ±0.20 | Draw: | Daniel | 2020-11-11 | |
| x.xxx | ±0.10 | Check: | Daniel | 2020-11-11 | |

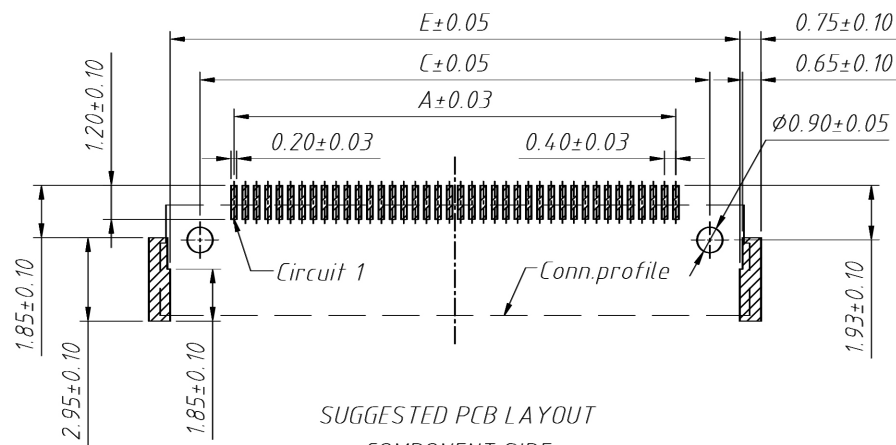
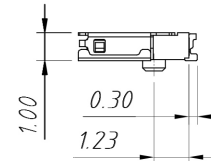
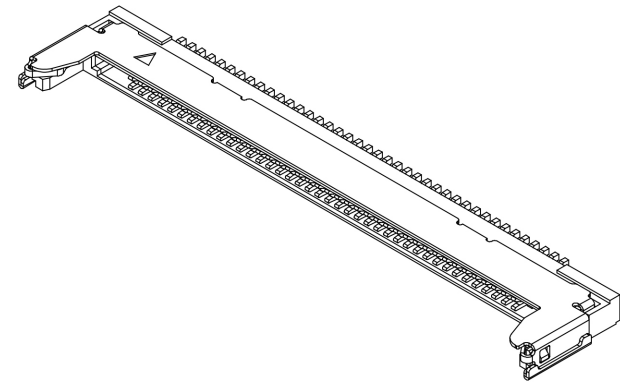


ETC ELECTRONICS CO., LTD.

RoHS Compliance



| Poles | A | B | C | D | E |
|-------|-------|-------|-------|-------|-------|
| 30 | 11.60 | 16.40 | 14.00 | 16.80 | 16.10 |
| 40 | 15.60 | 20.40 | 18.00 | 20.80 | 20.10 |

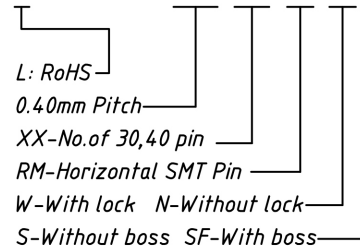


SUGGESTED PCB LAYOUT
COMPONENT SIDE

Material:
 Wafer: LCP, UL 94V-0
 Pin: Phosphor Bronze, Gold-plated
 Shell: Phosphor Bronze, Tin-plated

Order Information:

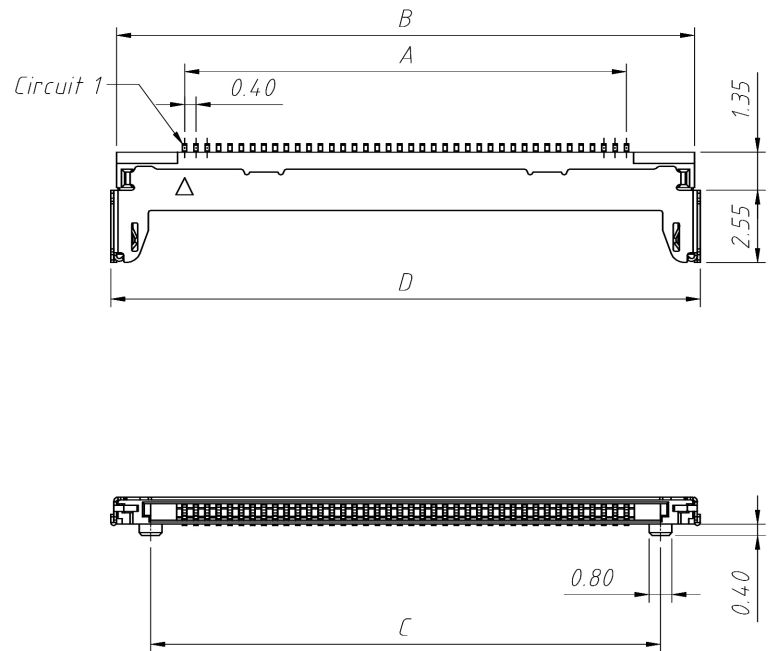
L-ETC1-XF1-0.40-XX-RM-N-SF



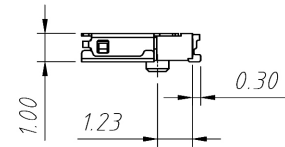
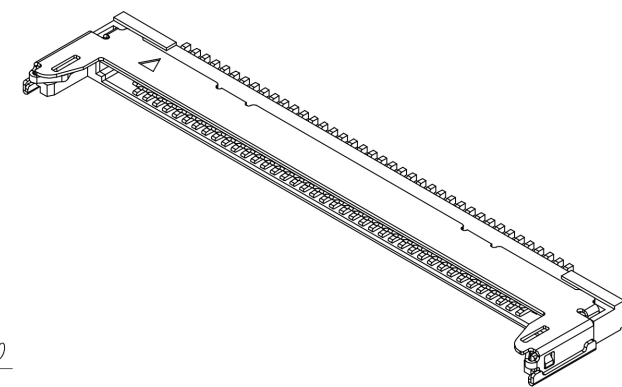
Electrical Characteristics:
 Current rating: 0.3A AC,DC
 Voltage rating: 100V AC,DC
 Temperature range: -25°C ~ +85°C
 Contact resistance: 40mΩ/Max.
 Insulation resistance: 1000MΩ/Min.
 Withstanding voltage: 250V AC/minute

| ANGLE TOLERANCE | | PROJECTION | | Description: | |
|-------------------|-------|------------|-------------------|---------------------------------------|--|
| ±3° | | | | 0.40mm Pitch board to board connector | |
| GENERAL TOLERANCE | UNITS | mm | ETC P/N: | L-ETC1-XF1-0.40-XX-RM-N-SF | |
| x.x | ±0.30 | SHEET SIZE | A4 | | |
| x.xx | ±0.20 | Draw: | Daniel 2020-11-11 | | |
| x.xxx | ±0.10 | Check: | Daniel 2020-11-11 | | |

RoHS Compliance

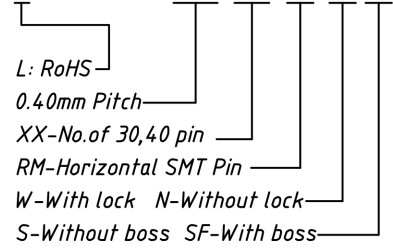


| Poles | A | B | C | D | E |
|-------|-------|-------|-------|-------|-------|
| 30 | 11.60 | 16.80 | 14.40 | 15.20 | 13.10 |
| 40 | 15.60 | 20.80 | 18.40 | 19.20 | 17.10 |

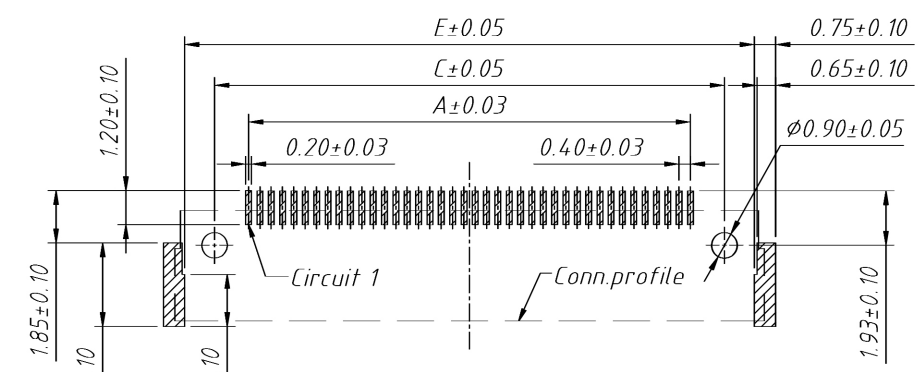


Material:
 Wafer:LCP, UL 94V-0
 Pin:Phosphor Bronze,Gold-plated
 Shell:Phosphor Bronze ,Tin-plated

Order Information:
 L-ETC1-XF1-0.40-XX-RM-W-SF

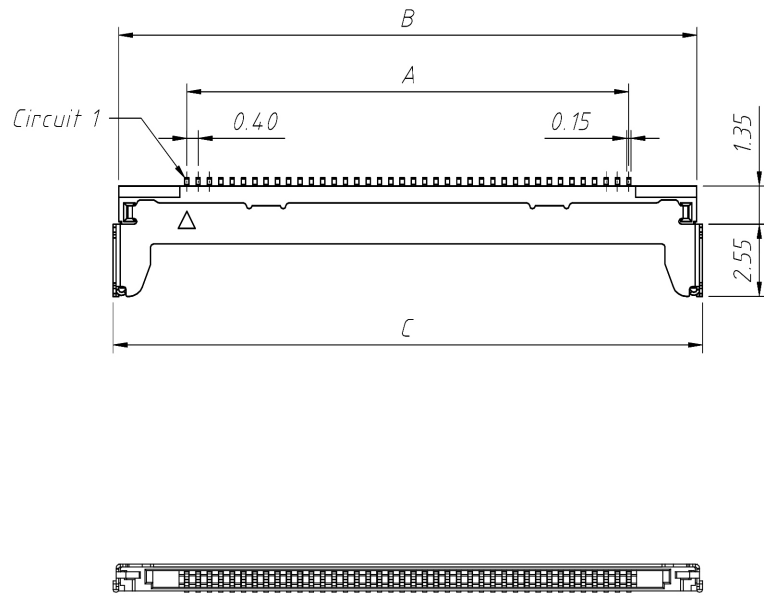


Electrical Characteristics:
 Current rating:0.3A AC,DC
 Voltage rating:100V AC,DC
 Temperature range:-25°C ~ +85°C
 Contact resistance:40mΩ/Max.
 Insulation resistance:1000MΩ/Min.
 Withstanding voltage:250V AC/minute

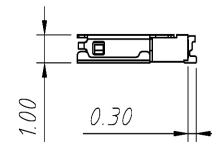
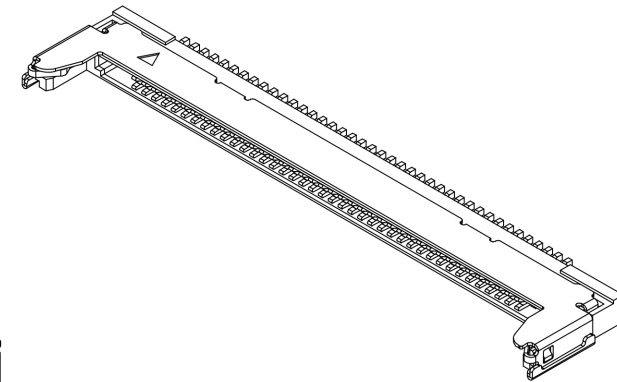


SUGGESTED PCB LAYOUT
 COMPONENT SIDE

| ANGLE TOLERANCE | PROJECTION | Description: | | |
|-------------------|------------|---------------------------------------|-------------------|----------------------------|
| $\pm 3^\circ$ | | 0.40mm Pitch board to board connector | | |
| GENERAL TOLERANCE | UNITS | mm | ETC P/N: | L-ETC1-XF1-0.40-XX-RM-W-SF |
| x.x | ± 0.30 | SHEET SIZE | A4 | |
| x.xx | ± 0.20 | Draw: | Daniel 2020-11-11 | |
| x.xxx | ± 0.10 | Check: | Daniel 2020-11-11 | |



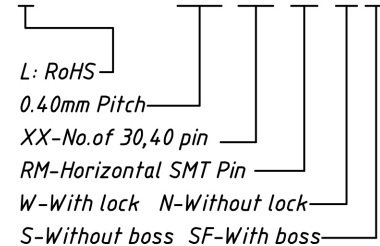
| Poles | A | B | C | D |
|-------|-------|-------|-------|-------|
| 30 | 11.60 | 16.40 | 16.80 | 16.10 |
| 40 | 15.60 | 20.40 | 20.80 | 20.10 |



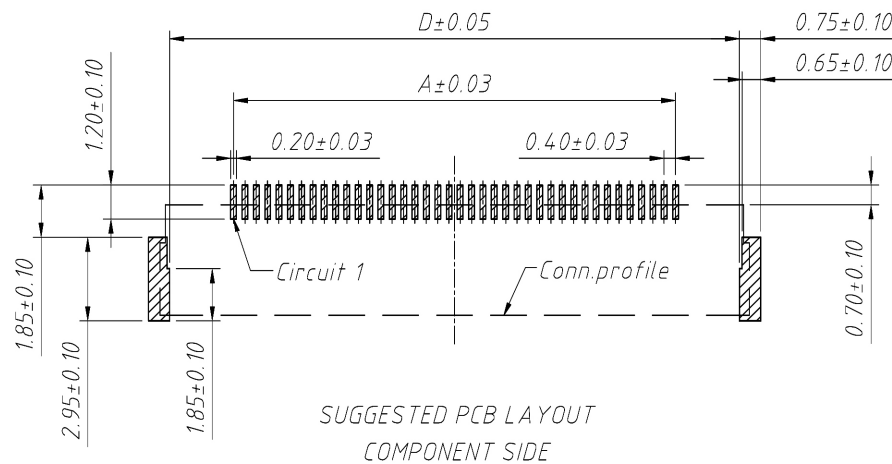
Material:
 Wafer: LCP, UL 94V-0
 Pin: Phosphor Bronze, Gold-plated
 Shell: Phosphor Bronze, Tin-plated

Order Information:

L-ETC1-XF1-0.40-XX-RM-N-S

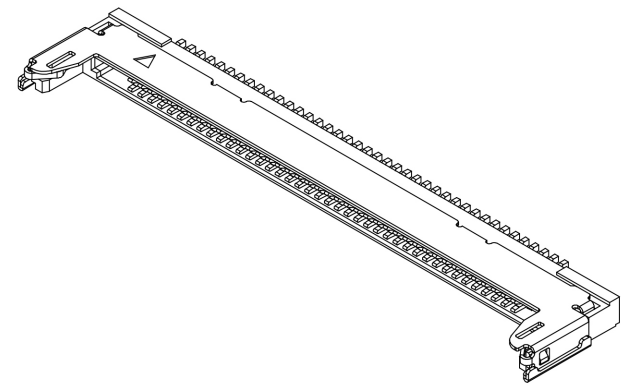
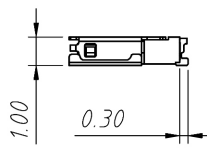
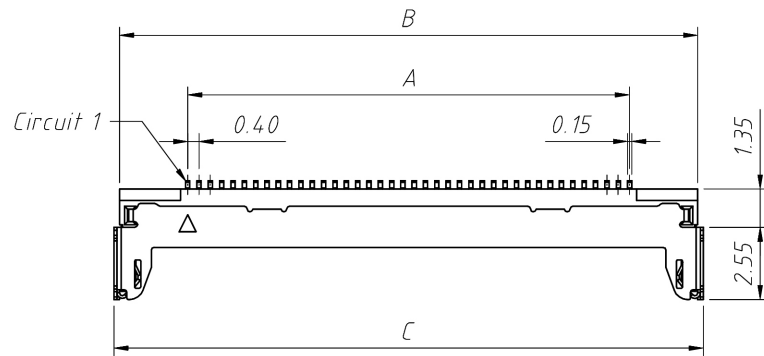


Electrical Characteristics:
 Current rating: 0.3A AC,DC
 Voltage rating: 100V AC,DC
 Temperature range: -25°C ~ +85°C
 Contact resistance: 40mΩ/Max.
 Insulation resistance: 1000MΩ/Min.
 Withstanding voltage: 250V AC/minute



| ANGLE TOLERANCE | | PROJECTION | | Description: | |
|-------------------|-------|------------|--------|---------------------------------------|--|
| ±3° | | | | 0.40mm Pitch board to board connector | |
| GENERAL TOLERANCE | | UNITS | mm | ETC P/N: | |
| x.x | ±0.30 | SHEET SIZE | A4 | L-ETC1-XF1-0.40-XX-RM-N-S | |
| x.xx | ±0.20 | Draw: | Daniel | 2020-11-11 | |
| x.xxx | ±0.10 | Check: | Daniel | 2020-11-11 | |

RoHS Compliance

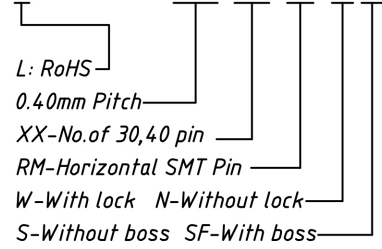


| Poles | A | B | C | D |
|-------|-------|-------|-------|-------|
| 30 | 11.60 | 16.40 | 16.80 | 16.10 |
| 40 | 15.60 | 20.40 | 20.80 | 20.10 |

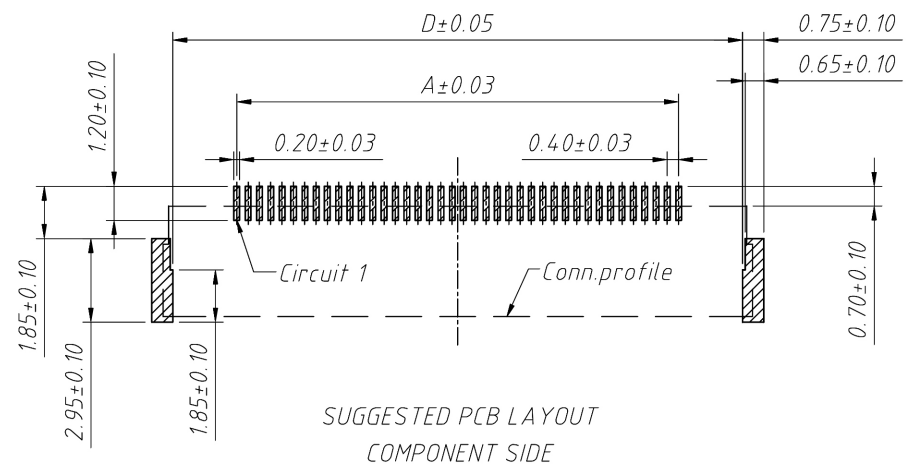
Material:
 Wafer: LCP, UL 94V-0
 Pin: Phosphor Bronze, Gold-plated
 Shell: Phosphor Bronze, Tin-plated

Order Information:

L-ETC1-XF1-0.40-XX-RM-W-S



Electrical Characteristics:
 Current rating: 0.3A AC, DC
 Voltage rating: 100V AC, DC
 Temperature range: -25°C ~ +85°C
 Contact resistance: 40mΩ/Max.
 Insulation resistance: 1000MΩ/Min.
 Withstanding voltage: 250V AC/minute



SUGGESTED PCB LAYOUT
 COMPONENT SIDE

| ANGLE TOLERANCE | PROJECTION | Description: | | |
|-------------------|------------|---------------------------------------|------------|---------------------------|
| ±3° | | 0.40mm Pitch board to board connector | | |
| GENERAL TOLERANCE | UNITS | mm | ETC P/N: | L-ETC1-XF1-0.40-XX-RM-W-S |
| x.x ±0.30 | SHEET SIZE | A4 | | |
| x.xx ±0.20 | Draw: | Daniel | 2020-11-11 | |
| x.xxx ±0.10 | Check: | Daniel | 2020-11-11 | |