

Switch

Tactile Switches

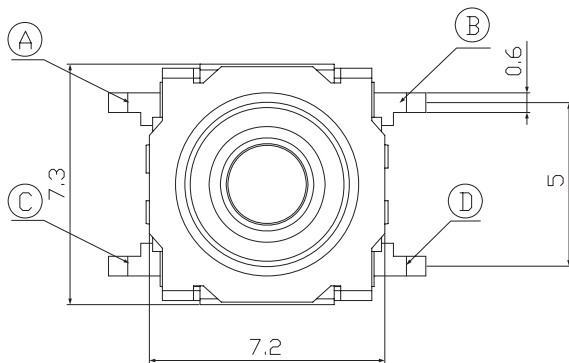
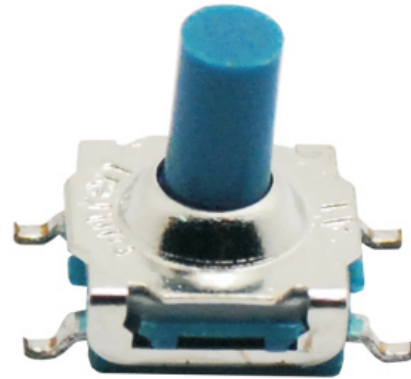
ETC7-TS7785 7x7 mm blue waterproof SMD Tact

Electrical:

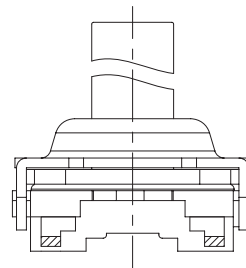
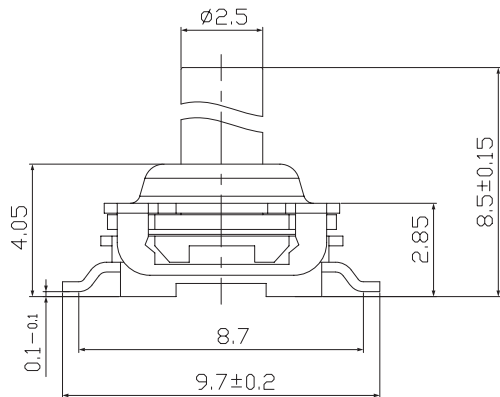
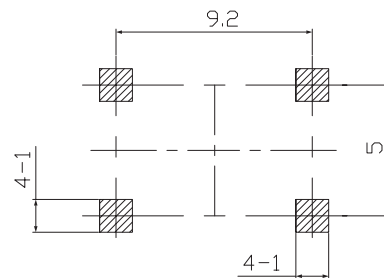
1. Rating: 50mA 12V DC
2. Travel: 0.35 ± 0.1 mm
3. Contact Resistance : $100 \text{m}\Omega$ Max
4. Electrically Life: 100000 cycles Min.
5. Operating Force: 180 ± 50 gf
6. Environment temperature: $-30^\circ\text{C} \sim +80^\circ\text{C}$

Materials:

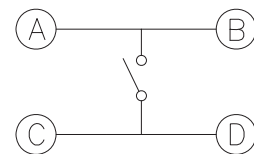
1. Insert: H62Y & ± 0.30 , Silver
2. Base: PPA, Blue
3. Shrapnel: Stainless steel
4. Waterproof membrane: Silica gel
5. Cap: PPA, Blue
6. Tensile plate: H65M & ± 0.30 , Copper tin



印制线路板
P. C. B layout



电路简图
SCHEMATIC



ORDER INFORMATION

Product NO.: ETC7-TS7785-8.5-180-B

