

Fuses * Fuse Holders

Fuse holders * Fuse Clips

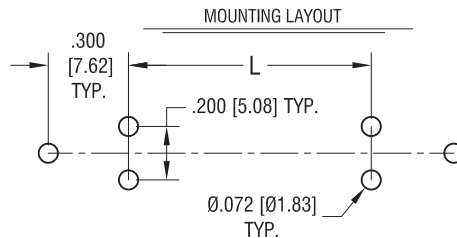
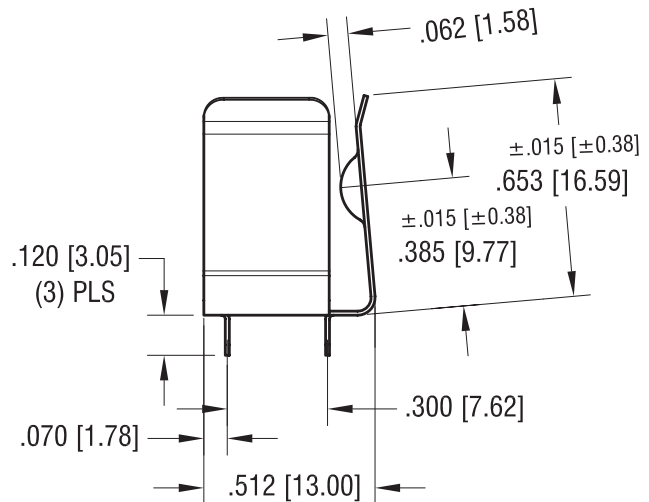
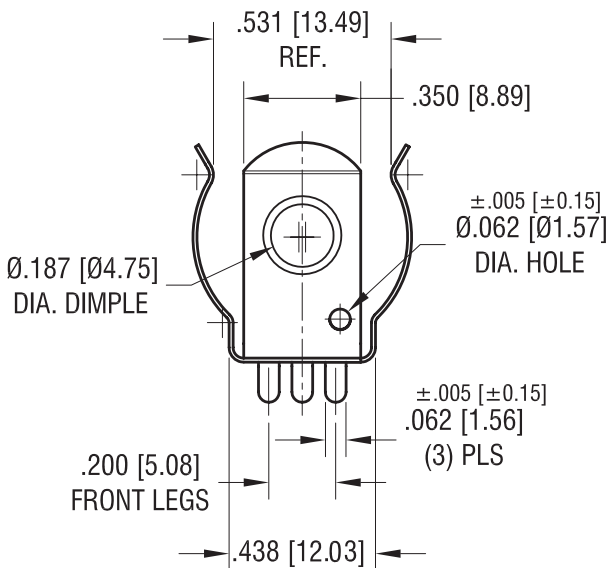
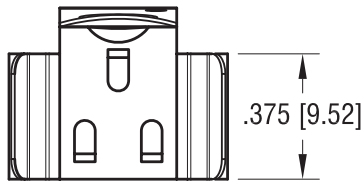
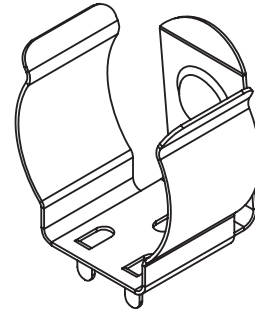
ETC5-54T 16mm-19mm PC Battery Clip

Material:

0.30 THK Annealed Spring Steel
Tin Nickel Plate

Note:

Heat Treat To Spring Temper
PCB Protection Circuits Are Required
When Used With Lithium-Ion Batteries



CELL SIZE	"L" DIMENSION
18650 *	1.890 [48.00]
CR123A	.570 [14.50]
17500	1.218 [30.90]

* FOR BATTERIES WITH BUILT-IN CIRCUIT PROTECTION

ORDER INFORMATION

Product NO.: ETC5-54T

Series No. _____